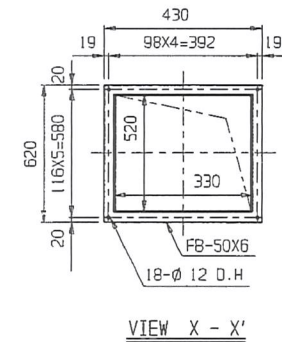
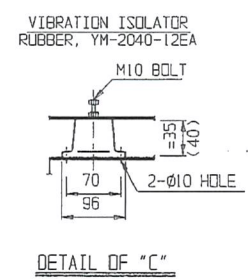
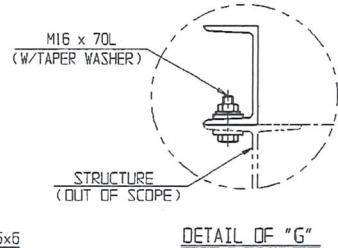
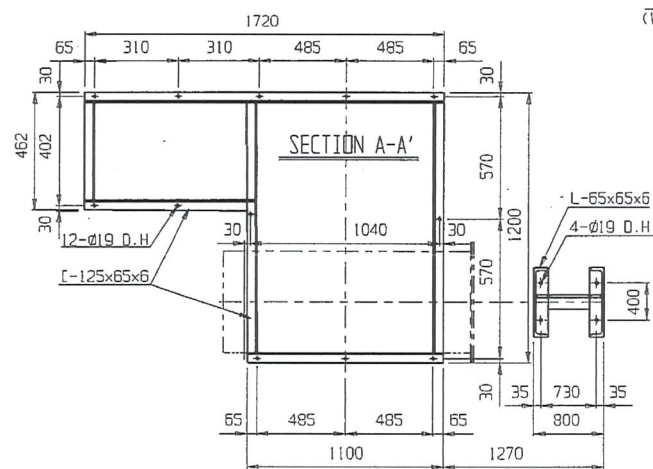
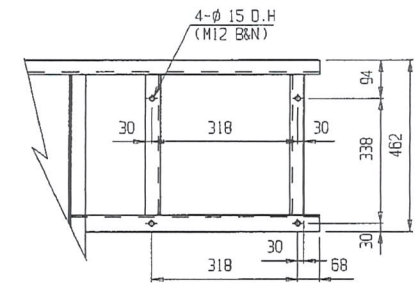
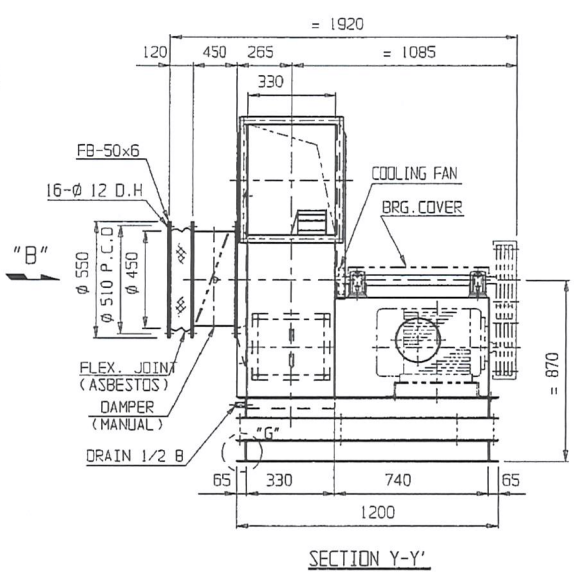
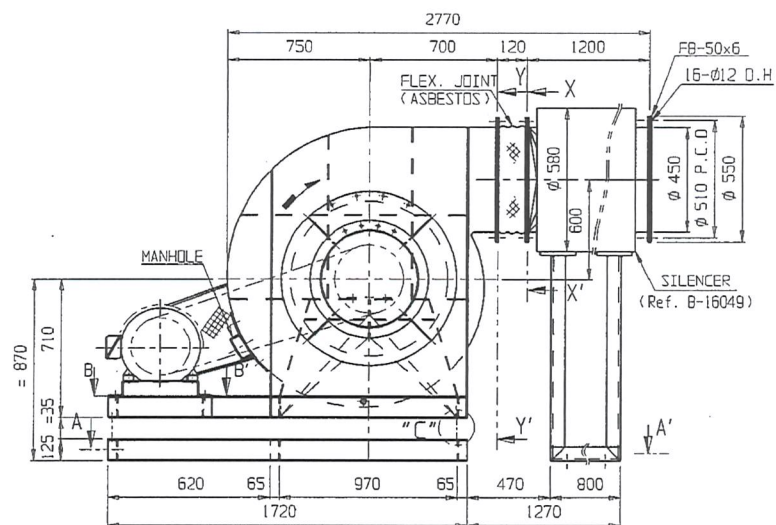


MODEL: TTF - 450 - AS4W		TURBO FAN	
CAPACITY	(7475)124.6m <sup>3</sup> /min	GAS TEMP.	80 °C
STATIC PRESS.	-250	GAS HANDLED	A I R
SPEED	1460 rpm	BEARING	# 6314 x 2EA
HORSE POWER	11 kW	PAINT COLOR	
MOTOR: TYPE TEFC, 11 kW 4p 1460 rpm 3 φ 50 Hz 415 V			
ACCESSORIES:		SERIAL NO.-QTY	# 970063 - 1 SET
V-PULLEY (FAN)	B - 3 - φ 8"	ANCHOR BOLT	( 16- M16 x 70L )
V-PULLEY (MTR)	B - 3 - φ 8"	C-FLANGE	1 SET
V-BELT	B TYPE - 3 EA	BELT COVER	1 SET
MATERIAL: IMP. SS400 CAS. SS400 SHA. SM45C			
WEIGHT:	FAN 960 kg	MOTOR 109 kg	TOTAL 1069 kg



REV. NO.	DR.	CHD.	APPR.	DATE	ZONE	MICRO	DESCRIPTION OF REVISION
2	K.S.CHOI	K.S.CHOI	N.J.LEE	26 Sep 97			DELETED MOTION DETECTOR
1	K.S.CHOI	N.J.LEE	H.O.CHOI	08 Aug 97			GENERAL REVISION.

PHS EXPANSION PROJECT PL2

**HANJUNG 한국중공업주식회사**  
KOREA HEAVY INDUSTRIES & CONSTRUCTION CO., LTD.  
33700 PADANG RENGAS, PERAK DARUL RIDZUAN, MALAYSIA

PHS EXPANSION PROJECT PL2 DRAWING NO.	1000-30-3-11134	Rev.	2	SHEET	NO. 1 OF 1
---------------------------------------	-----------------	------	---	-------	------------

**TAE-IL BLOWER MFG. CO., LTD.**  
821-12 PANMOL IND. COMPLEX ANSAN-ST, KOREA

DR. K.S.CHOI	EQUIPMENT NO.:	S12 FN 1
CHD. N.J.LEE	SHEET TITLE	
APPR. H.O.CHOI	DUST COLLECTOR FAN ASS'Y DWG	
DATE 09 Jun 97	SCALE: N / S	
MICRO:		