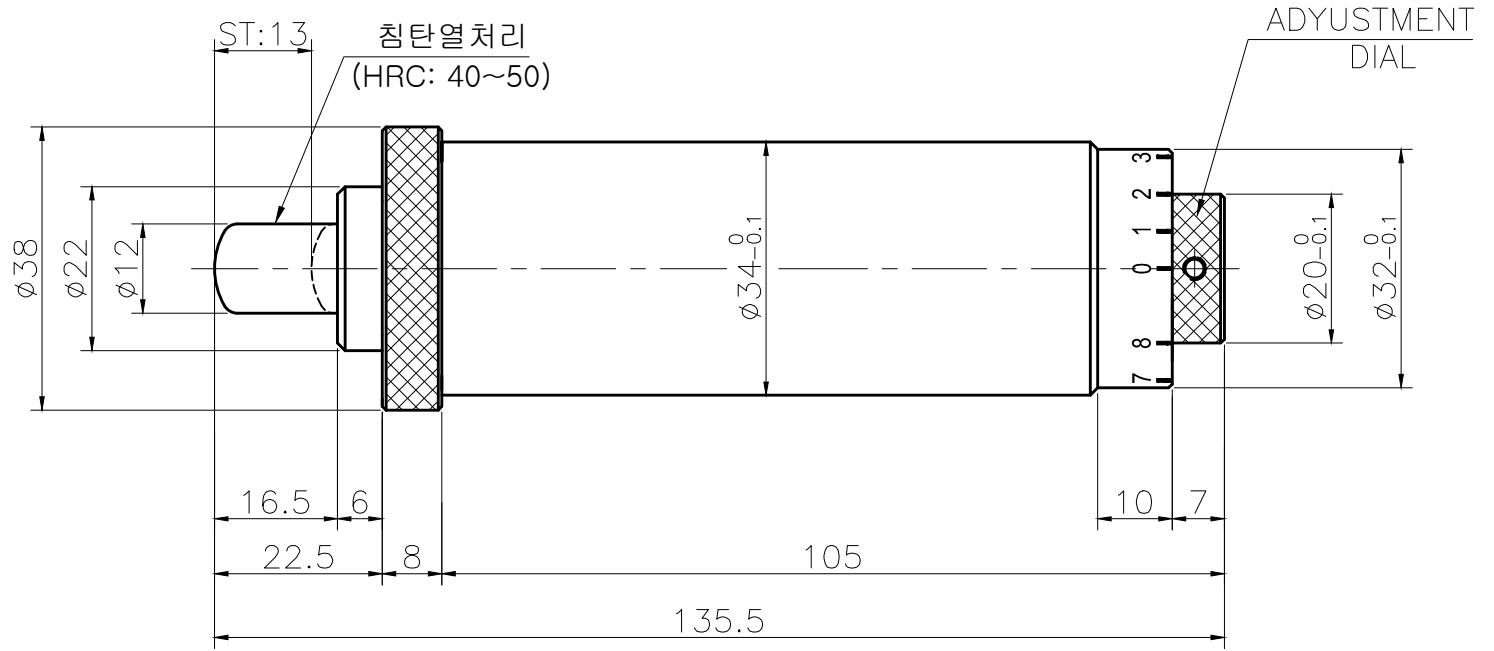
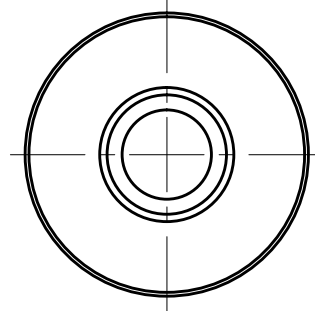


APPROVED SIGN

USER
 DATE 2026. . .
 Impact mass Kg
 Impact velocity m/s

| ITEM NO | PART NAME | I/T | MATERIAL | MATERIAL SIZE REF. DWG | Q'TY | REMARK |
|---------|----------------|-----|----------|------------------------|------|--------|
| - | SHOCK ABSORBER | - | - | - | - | - |



Engineering Data

| Model Name | Stroke | Max. Energy/cycle | Impact Speed Range | Effective Weight | Temperature Range |
|------------|--------|-------------------|--------------------|------------------|-------------------|
| KCA34-13 | 13 mm | 32 Nm | 0.3~3.0 m/sec | 7.1~711.1 kg | -10~80 °C |

THIS DRAWING IS PROPRIETARY TO KOBA
 NO PART OF THIS DRAWING MAY BE REPRODUCED
 WITHOUT THE PERMISSION OF KOBA
 허가없이 복사 할 수 없음

| | | | | | | | | | | | | | |
|---------|------|----------|---------|---------|---------|---|----------|-------------|------------|----------------|----------------------|------|------|
| 4 | | | | | | KOBA Korea Buffer Absorbers www.kobapage.com | UNIT | mm | APPAR. | KCA34-13 | | | |
| 3 | | | | | | | SCALE | N/S | TITLE | SHOCK ABSORBER | | | |
| 2 | | | | | | Tolerance Unless Otherwise Specified | DRAWN by | DESIGNED by | CHECKED by | APPROVED by | 3rd Angle Projection | | |
| 1 | - | - | - | - | - | $\pm 0.1, \pm 0.5$ | - | - | - | - | REF. TO DRW | | |
| REV.No. | DATE | REVISION | DRWN BY | CHKD BY | APPD BY | | | | | | DRAWING NO | Page | Rev. |
| | | | | | | | | | | | KBL0144 | 1/1 | R00 |