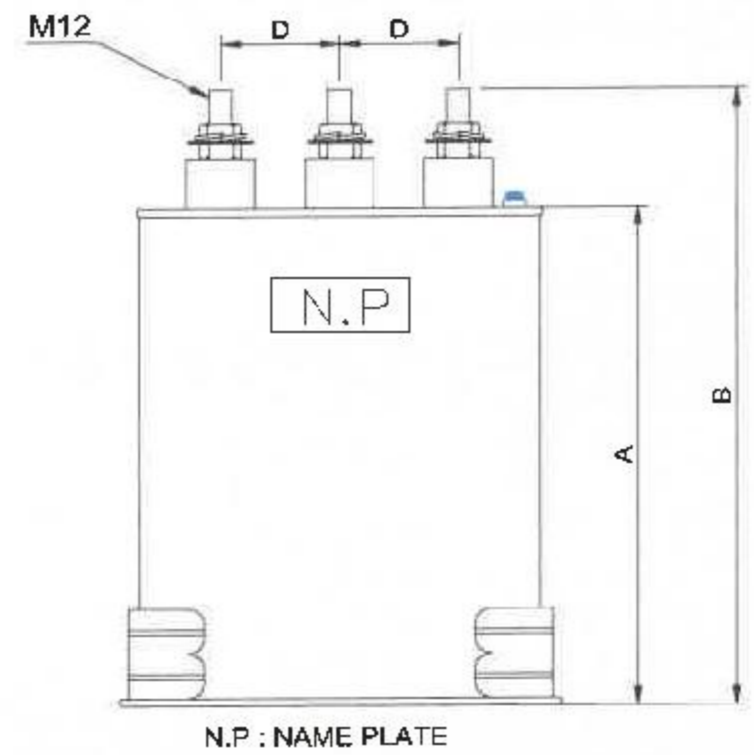
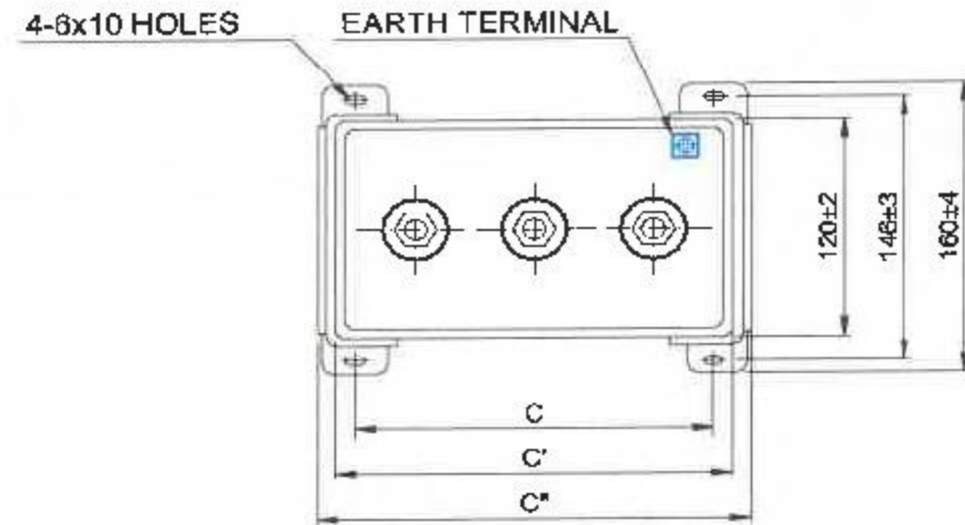
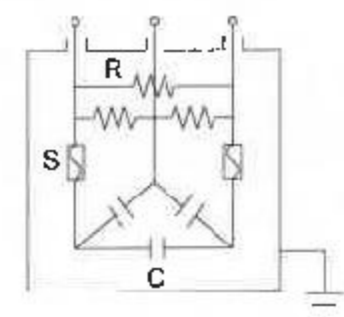


Technical data sheet

Type	SMB-2350320KT
Standard	IEC 60831-1
Ambient temperature	-25°C ~ +45°C
Altitude	< 2000m
Rated Voltage	234V
Rated Capacity	32kvar
Rated Capacitance	1860.2uF
Rated Current	79.0A
Rated Frequency	50Hz
Phase	3Φ
Capacitance Tolerance	-5% ~ +10%
Capacitor Loss	3.5W/kvar
(In stability state, average loss, at rated voltage & frequency)	
Dielectric Type	MPP - film
Inner connection	1S X 4P
Discharging Resistor time	75V / 3min
Discharging Resistor	0.1MΩ
Impregnation	Non-P.C.B Oil
Fluid	3.0kg
Painting	Munsell 5Y 7/1



INNER CONNECTION



R : RESISTOR
C : CAPACITOR
S : SAFETY DEVICE

Dimension(mm)						Weight
A±3	B±7	C±2	C'±3	C''±4	D±5	(approx kg)
280	340	170	200	210	60	8.2

SIMBOL	ITEM	REASON	DATE	CHECK
△3 x				
△2 x				
△1 x				

SAMWHA CAPACITOR CO.,LTD.
[Http://www.samwha.co.kr/fc](http://www.samwha.co.kr/fc) Tel: +82 31 330 5817
 227, Gyeonggidongro, Namsa - myeun, Cheoin - Gu, Yongin - City,
 Kyungki - Do, Korea (Zip code : 17118)

LOW VOLTAGE POWER CAPACITOR (234V 3Φ 50Hz 32kvar)		
DESIGN	CHECKED	APPROVAL
C.H.PARK	J.H.CHO	B.G.SON

SCALE	N/S	DIM	mm
DATE		Jun, 19, 2023	
SPEC NO		PM - 3892	
DRAW NO		KM - 3892-1	