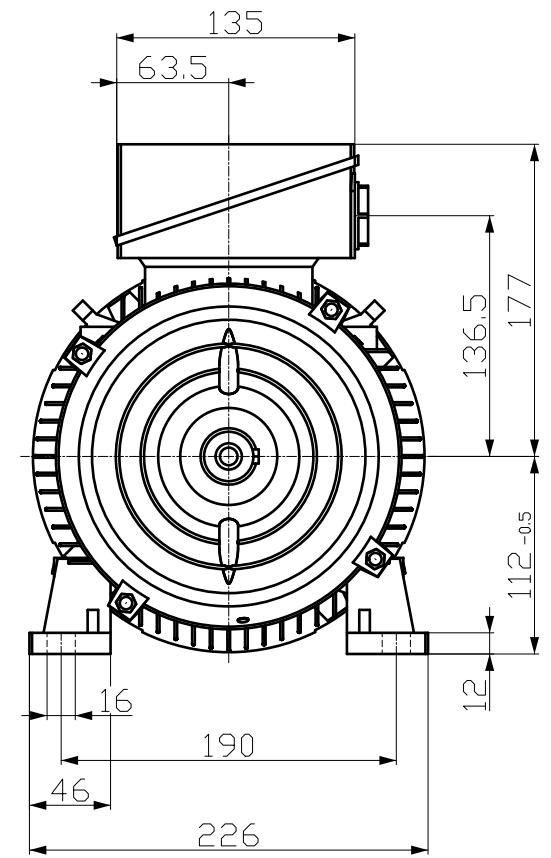
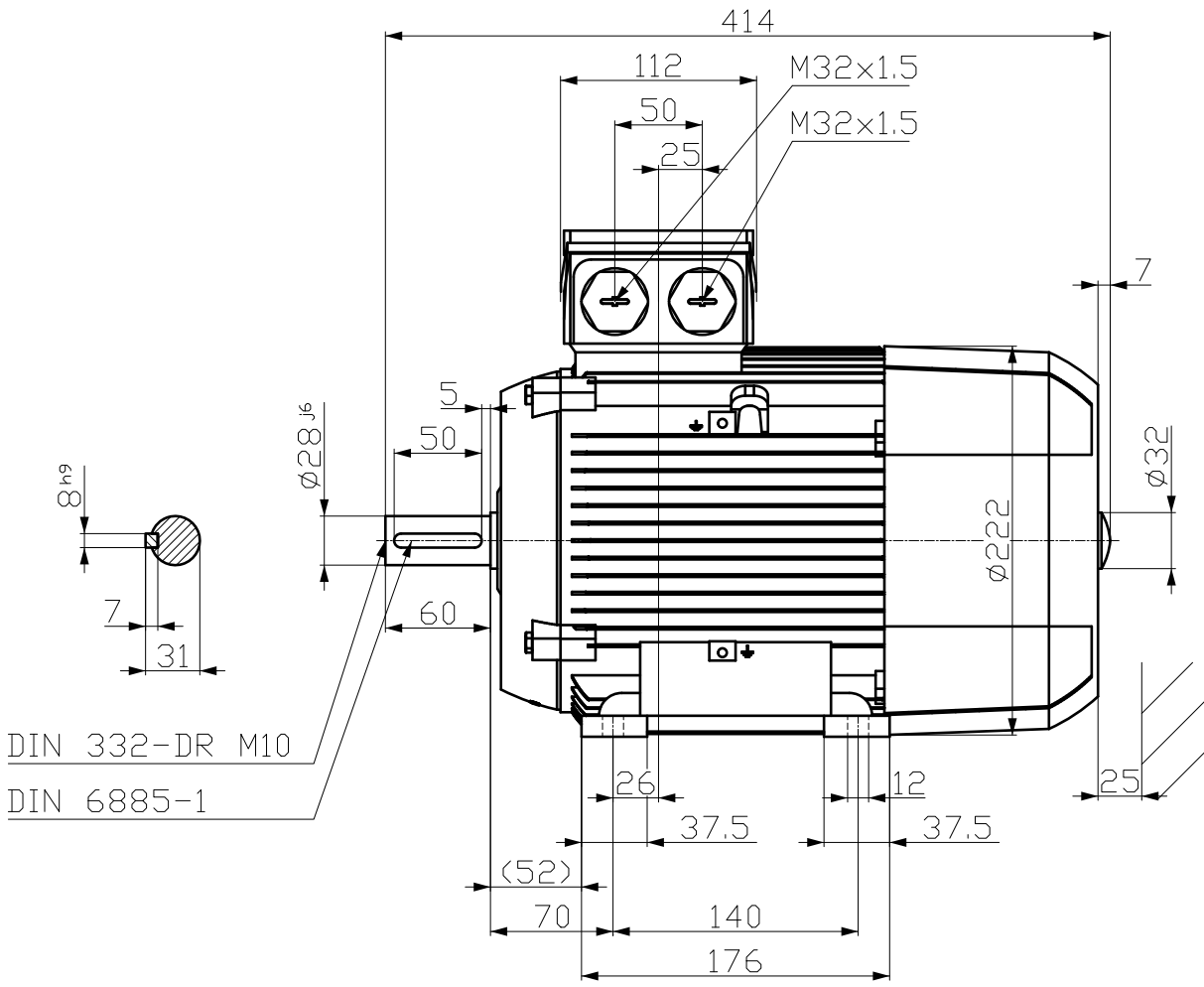


刀线管
 用文全
 图
 积
 01
 02
 03
 04
 05
 06
 07
 08
 09
 10
 11
 12
 13
 14
 15
 16
 17
 18
 19
 20
 21
 22
 23
 24
 25
 26
 27
 28
 29
 30
 31
 32
 33
 34
 35
 36
 37
 38
 39
 40
 41
 42
 43
 44
 45
 46
 47
 48
 49
 50
 51
 52
 53
 54
 55
 56
 57
 58
 59
 60
 61
 62
 63
 64
 65
 66
 67
 68
 69
 70
 71
 72
 73
 74
 75
 76
 77
 78
 79
 80
 81
 82
 83
 84
 85
 86
 87
 88
 89
 90
 91
 92
 93
 94
 95
 96
 97
 98
 99
 100



DIN 332-DR M10
 DIN 6885-1

Tolerance	Surface	Material	Weight	Scale
F50FE HÉFÓCÉCCEH ÉZ	Author Creator FGEJÉH ÜÜÜ Approval Ö^æ^æ q { æææ Department Ö^SXT	Öä ^)•q) æ^ææ q *	É	{ {
INNOMOTICS	Change Order	MFB	Doc Type	/
	Doc. State Ü^æ^æ	Item No	Paper Size	CH
©Innomotics 2024	Revision ÖEE Index RS	Doc No	1st Language ^)	2nd Language ä^
	Project No É	Ref No É	Sheet	F of F

V&@ a&@A) aV:*) A[i&@e@) A
 V&@ æ^æææ^A^ ab&@æ &@æ **A