

MOMENTARY ACTION COMMERCIAL GRADE LED ILLUMINATED & WATERTIGHT SEALED

The OTTO LP9 Lighted Dome series is a quality precision switch designed for use in panels, control grips, instruments, heavy equipment and other demanding applications where attractive, rugged, lighted pushbutton switches are required.

The LP9 series offers a positive tactile feedback, signaling the operator when the switch is operated with the added benefit of reliable LED illumination. The LP9 series offers four button versions; flush and raised profile with either a glossy or matte finish. It also comes with a threaded case for hex nut mounting while providing a short behind panel depth.

The LP9 series is constructed to meet IP68S watertight seal. Expect 25,000 operations at full rated load of 5 amps resistive or 3 amps inductive; 500,000 operations at 500mA/200mA resistive.

The LP9 series are momentary snap-action double break switches, available in standard and low operate forces. The LED is available in five colors and has the ability to accommodate 2 or 12VDC.

Features:

- **Watertight to IP68S**
- **LED lighted with the ability to accommodate 2 or 12VDC**
- **LED available in 6 colors**
- **Flush & raised button style**
- **Matte or glossy button finish**
- **Positive tactile feedback contact transfer**
- **Withstands extreme shock & vibration**
- **Short behind panel depth**
- **RoHS/WEEE/Reach compliant**

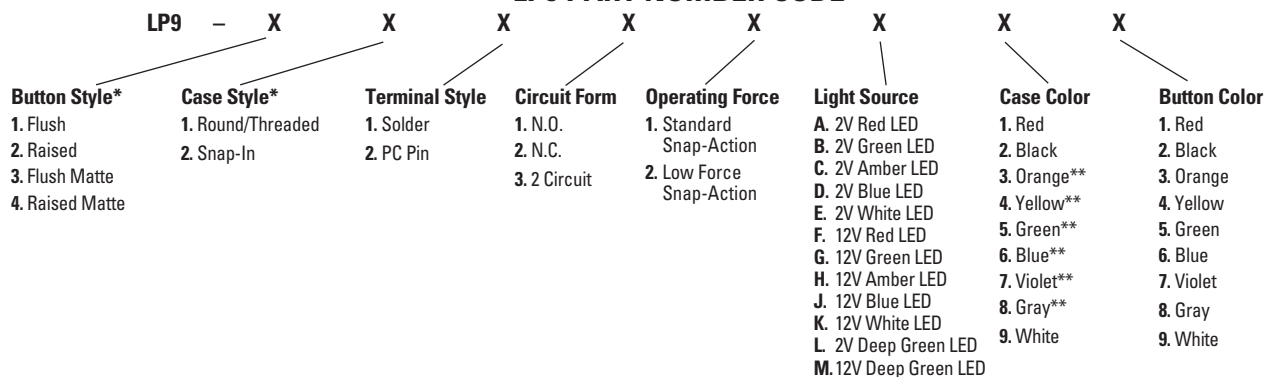


Flush Dome

Also available with
Raised Dome

Standard Characteristics/Ratings:			
ELECTRICAL RATINGS: Sea Level @ 28VDC or 115VAC, 60/400Hz			
Load	N.O./N.C.	Cycles	Operating Force
Resistive	5A	25,000	Standard
Inductive	3A	25,000	Standard
Resistive	500mA	500,000	Standard
Resistive	200mA	500,000	Low or Standard
DWV 1050Vrms through switch contacts only			
Low Level	10mA @ 30mV	25,000	
Electrical Life:		See Rating Chart	
LIGHTING:			
Light Source Voltage (DC)	Actual Voltage Nominal (DC)	Voltage Max (DC)	
2	2	2.6	
12	13.5	14.5	
Mechanical Life:		1,000,000 cycles	
Seal:		IP68S	
Operating Temp Range: -55°C to +85°C			
Operating Force:		1.7 +/- 0.5 lb. (standard force) 12 +/- 4 oz (low force)	
Total Travel:		0.080 inches max	
Overtravel:		0.010 inches min	
MATERIALS:			
Case:		Thermoplastic	
Button:		Thermoplastic	
Terminals:		Silver with gold plate	
Mounting Hardware:		Hex nut and lockwasher for round/threaded style case only Panel gasket for snap-in style case only	

LP9 PART NUMBER CODE

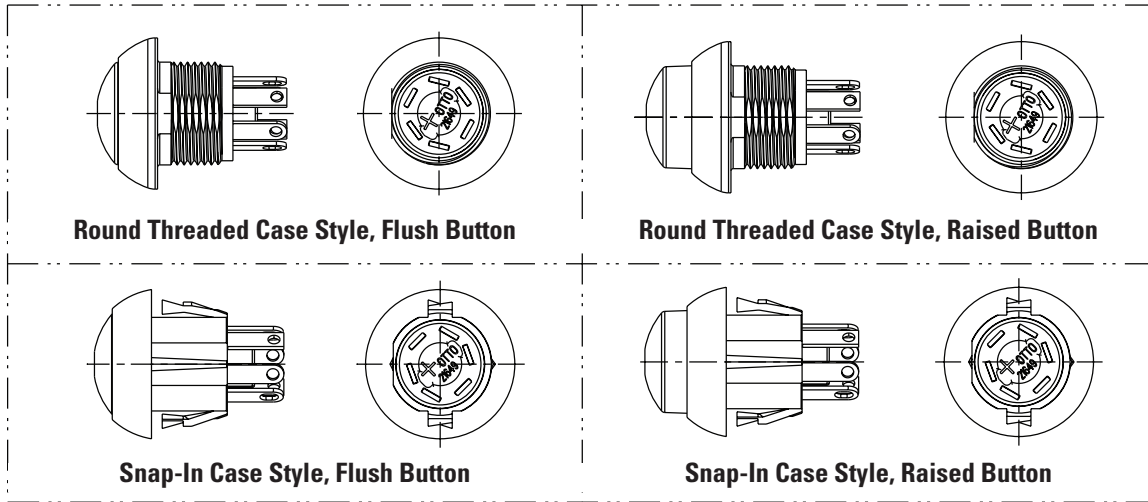


* Button and case will be of the same texture.
For all mixed gloss/matte combination options, contact factory.
** For minimum requirement, contact factory.

ILLUMINATED SEALED DOME PUSHBUTTONS

LP9
ILLUMINATED
PUSHBUTTONS

MOMENTARY ACTION COMMERCIAL GRADE LED ILLUMINATED & WATERTIGHT SEALED

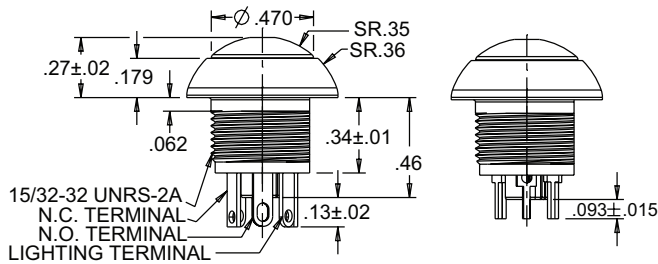


Standard Terminals

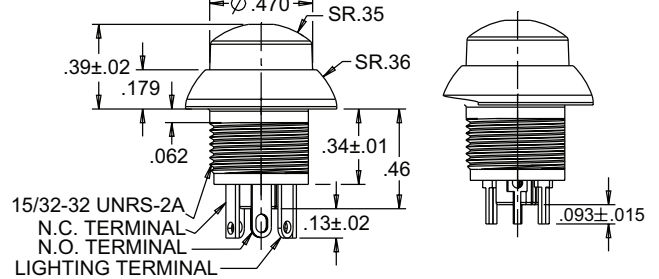
P.C. Terminals

Standard Terminals

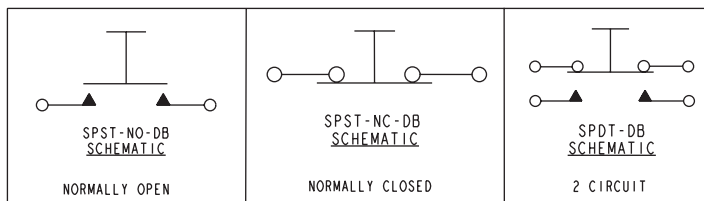
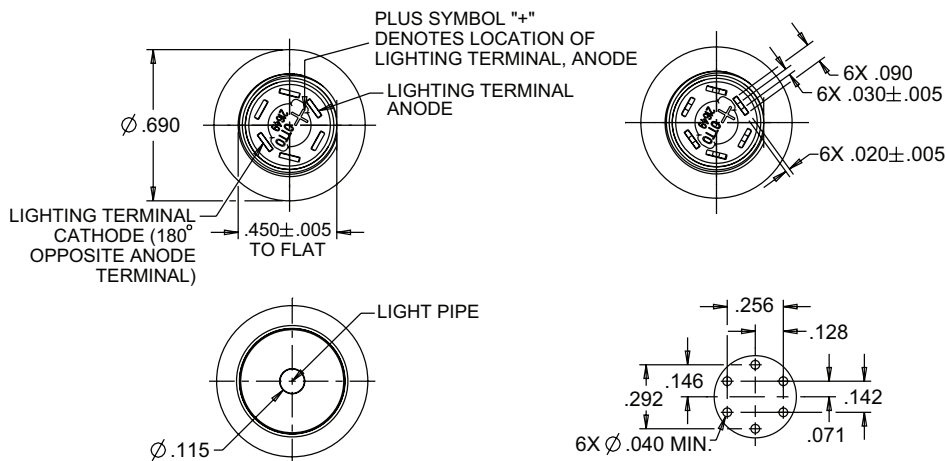
P.C. Terminals



FLUSH BUTTON ROUND THREADED



RAISED BUTTON ROUND THREADED



Mouser Electronics

Authorized Distributor

Click to View Pricing, Inventory, Delivery & Lifecycle Information:

OTTO:

[LP9-11131B22](#) [LP9-11131D22](#) [LP9-11131A22](#) [LP9-11131C22](#) [LP9-31112G25](#) [LP9-32111D26](#) [LP9-11131F22](#)
[LP9-21111A22](#) [LP9-21132G25](#) [LP9-11121G25](#) [LP9-21111G25](#) [LP9-11112G22](#) [LP9-11112H22](#) [LP9-21131J25](#) [LP9-](#)
[31111B25](#) [LP9-11111A21](#) [LP9-11111H25](#) [LP9-11112D22](#) [LP9-11111K24](#) [LP9-11131G25](#) [LP9-11122H22](#) [LP9-](#)
[11131F29](#) [LP9-11131K26](#) [LP9-11132F22](#) [LP9-21111J26](#) [LP9-21111K29](#) [LP9-21131G25](#) [LP9-21131H28](#) [LP9-](#)
[21132F22](#) [LP9-31131F22](#) [LP9-21111D22](#) [LP9-21111E22](#) [LP9-41112F22](#) [LP9-12111A21](#) [LP9-21111A21](#) [LP9-](#)
[21111F22](#) [LP9-21131K27](#) [LP9-31111C23](#) [LP9-41111B22](#) [LP9-11111E22](#) [LP9-11112G95](#) [LP9-11132G22](#) [LP9-](#)
[11131E24](#) [LP9-12111B22](#) [LP9-12132G25](#) [LP9-21131A22](#) [LP9-21131G21](#) [LP9-21131K22](#) [LP9-11111E26](#) [LP9-](#)
[11111F21](#) [LP9-11111J26](#) [LP9-11111K21](#) [LP9-41131F22](#) [LP9-11111F22](#) [LP9-11111H24](#) [LP9-11112H94](#) [LP9-](#)
[11131E28](#) [LP9-21131K25](#) [LP9-22111C24](#) [LP9-31111A22](#) [LP9-31132G29](#) [LP9-32112G22](#) [LP9-41111C22](#) [LP9-](#)
[11132G25](#) [LP9-11132J21](#) [LP9-21111F21](#) [LP9-21111G22](#) [LP9-21131G22](#) [LP9-21131K23](#) [LP9-21111D26](#) [LP9-](#)
[21111H24](#) [LP9-21122F11](#) [LP9-21131C24](#) [LP9-21132A21](#) [LP9-11131F23](#) [LP9-42112G22](#) [LP9-11131K28](#) [LP9-](#)
[11132J22](#) [LP9-12111J26](#) [LP9-12132F22](#) [LP9-21111B22](#) [LP9-11111F29](#) [LP9-11131G22](#) [LP9-21111K21](#) [LP9-](#)
[21131A29](#) [LP9-21131K28](#) [LP9-41111A22](#) [LP9-41131G22](#) [LP9-21111K23](#) [LP9-21131J26](#) [LP9-21131K24](#) [LP9-](#)
[22111B22](#) [LP9-11111K22](#) [LP9-11112F21](#) [LP9-11131K22](#) [LP9-21211K24](#) [LP9-32111A22](#) [LP9-32111E22](#) [LP9-](#)
[11132D22](#) [LP9-11211G25](#)