

# Differential pressure gauge

## Model: P620, P630 series

Spec. sheet no. PD06-01

### Service intended

P620 and P630 series are designed to measure differential pressure from 1 kPa to 1.5 MPa at Max. working pressure up to 5 and 25 MPa. A set of stainless steel bellows mounted on a force balance allows direct reading of the actual differential pressure.



### Nominal diameter

100 and 160 mm

### Accuracy

±1.0 % of full scale

±1.6 % of full scale

### Scale range (MPa, kPa, bar)

0 ~ 1 kPa to 0 ~ 50 kPa

0 ~ 0.1 MPa to 0 ~ 1.5 MPa

### Max. Working pressure (Static pressure)

P620 : 5 MPa

P630 : 25 MPa

### Working temperature

Ambient : -20 ~ 65 °C (With Glycerin filling)

-40 ~ 65 °C (With Silicone filling)

Fluid : Max. 100 °C

### Degree of protection

EN60529/IEC529/IP67

### Temperature effect

Accuracy at temperature above and below the reference temperature (20 °C) will be effected by approximately ±0.5 % per 10 °C of full scale



## Standard features

### Pressure connection

Stainless steel (316SS)

### Element

Bellows

Stainless steel (316L SS)

### Case

Stainless steel (304SS)

### Cover

Stainless steel (304SS)

Bayonet type

### Window

Safety glass

### Dial

White aluminium with black graduations

### Pointer

Black painted aluminium alloy

### Process connection

1/4" NPT(F)

1/2" NPT(F) at 3-way and 5-way manifold valve

1/2" NPT(M), not available with manifold valve

### Standard accessories

Mounting bracket for 2" pipe

mounting with silver gray finished steel

### Certificates

ATEX II 2G Ex h IIC T6...T1 Gb

ATEX II 2D Ex h IIIC T85°C...T450°C Db

### Option

■ Remote seal

■ Mounting bracket with 316SS for 2" pipe mounting

■ 3-way manifold valve (316SS, Monel)

■ 5-way manifold valve (316SS, Monel)

**WISE**<sup>®</sup>

## Main order

## Ordering information

### 1. Base model

**P620** Differential pressure gauge (Max.working pressure : 5 MPa)

**P630** Differential pressure gauge (Max.working pressure : 25 MPa)

### 2. Nominal diameter (mm)

**4** 100

**6** 160

### 3. Type of mounting

**D** Bottom connection, mounting bracket for 2" pipe

**L** Bottom connection, flush, case center mounting plate

### 4. Accuracy

**3** ±1.0 % of full scale

**4** ±1.6 % of full scale

### 5. Process connection

**C** ¼" NPT(F)

**E** ½" NPT(F), only at 3-way and 5-way manifold valve

**E1** ½" NPT(M), not available with manifold valve

### 6. Mounting bracket

**D** Standard bracket

**E** 304SS mounting bracket

**F** 316SS mounting bracket

**W** Wall mounting bracket (316SS)

**N** None

### 7. Unit

**H** bar

**I** MPa

**J** kPa

**S** mbar

V : Kpa( )

### 8. Range

**041** 0 ~ 0.1 MPa

**042** 0 ~ 0.2 MPa

**043** 0 ~ 0.3 MPa

**044** 0 ~ 0.4 MPa

**045** 0 ~ 0.6 MPa

**047** 0 ~ 1 MPa

**050** 0 ~ 1.5 MPa

**457** 0 ~ 1 kPa, not available with remote seal type

**460** 0 ~ 2 kPa, not available with remote seal type

**462** 0 ~ 3 kPa, not available with remote seal type

**464** 0 ~ 4 kPa, not available with remote seal type

**465** 0 ~ 5 kPa, not available with remote seal type

**469** 0 ~ 10 kPa

**437** 0 ~ 20 kPa

**518** 0 ~ 30 kPa

**040** 0 ~ 50 kPa

274 : 0~180Kpa/0~3375m3/h

### 9. Dial color

**3** 2 colors

7 : 3 Colors

### 10. Option

**0** Standard (2" mounting bracket)

**1** Accessories (3-way or 5-way manifold valve)

**2** Standard and glycerin filling

**3** Manifold valve and glycerin filling

**6** Standard and silicone filling

**7** Manifold valve and silicone filling

C1: CASE & COVER Mat'l = 316SS  
W1: Window = Laminated Safety Glass  
M1: Mat'l = Monel Housing

### Sample ordering code

1	2	3	4	5	6	7	8	9	10
P620	6	D	4	E	D	I	047	3	2

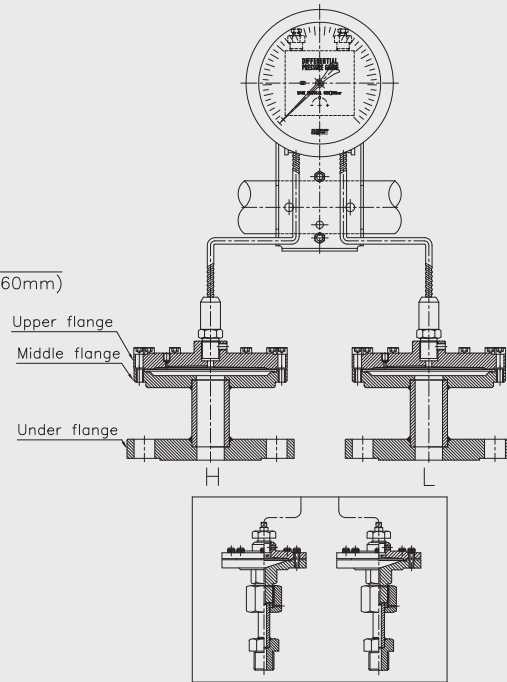
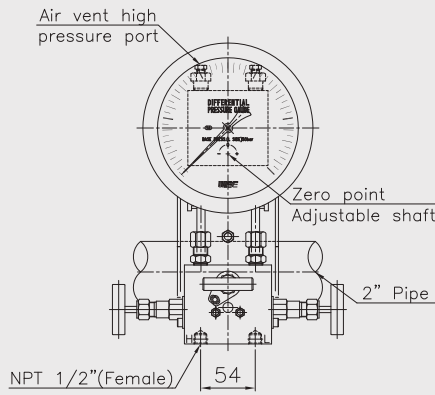


© WISE Control Inc. All rights reserved. ALL PRODUCT, PRODUCT SPECIFICATIONS AND DATA ARE SUBJECT TO CHANGE WITHOUT NOTICE TO IMPROVE RELIABILITY, FUNCTION OR DESIGN OR OTHERWISE.

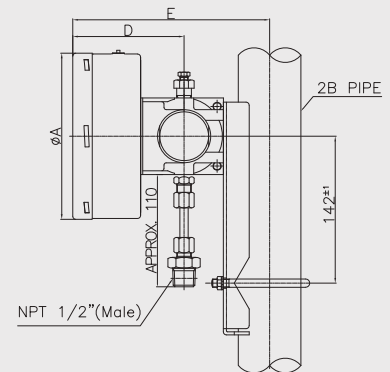
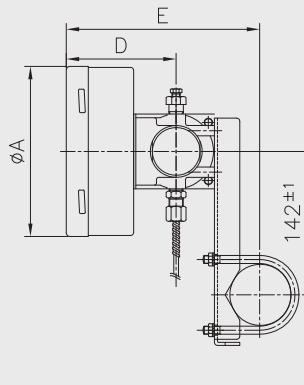
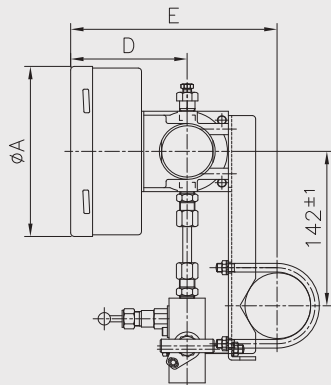
# P620, P630 : Type of mounting (1/2)

Code ( D )P620 and P630

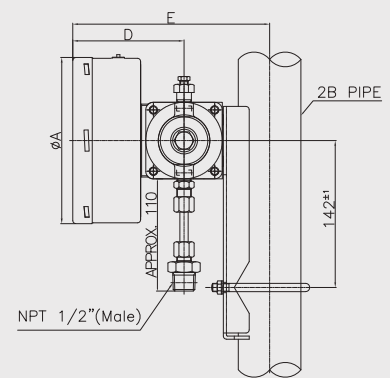
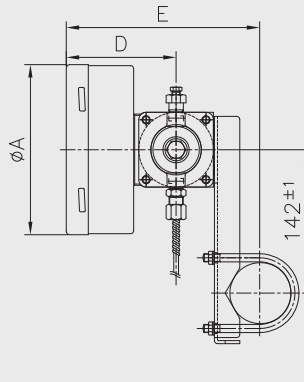
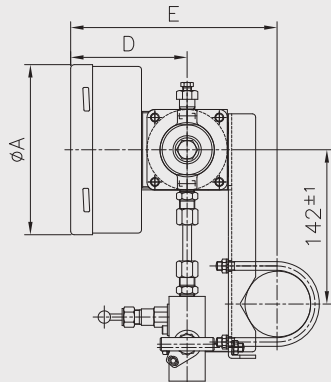
Code ( D )P620 and P630(Remote seal)



P620



P630



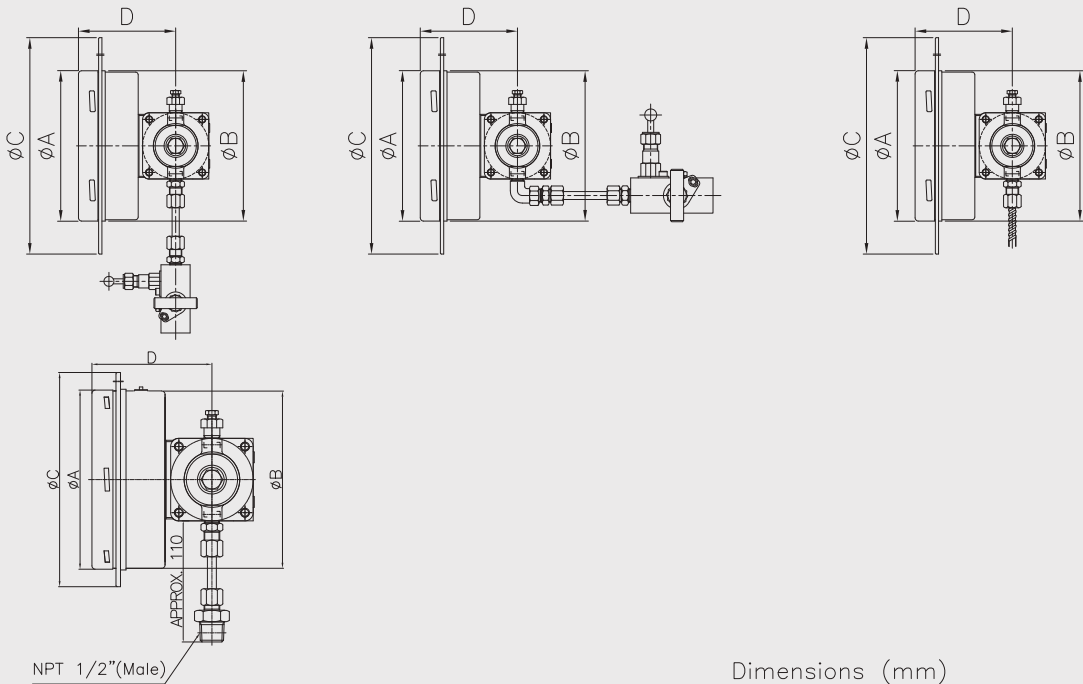
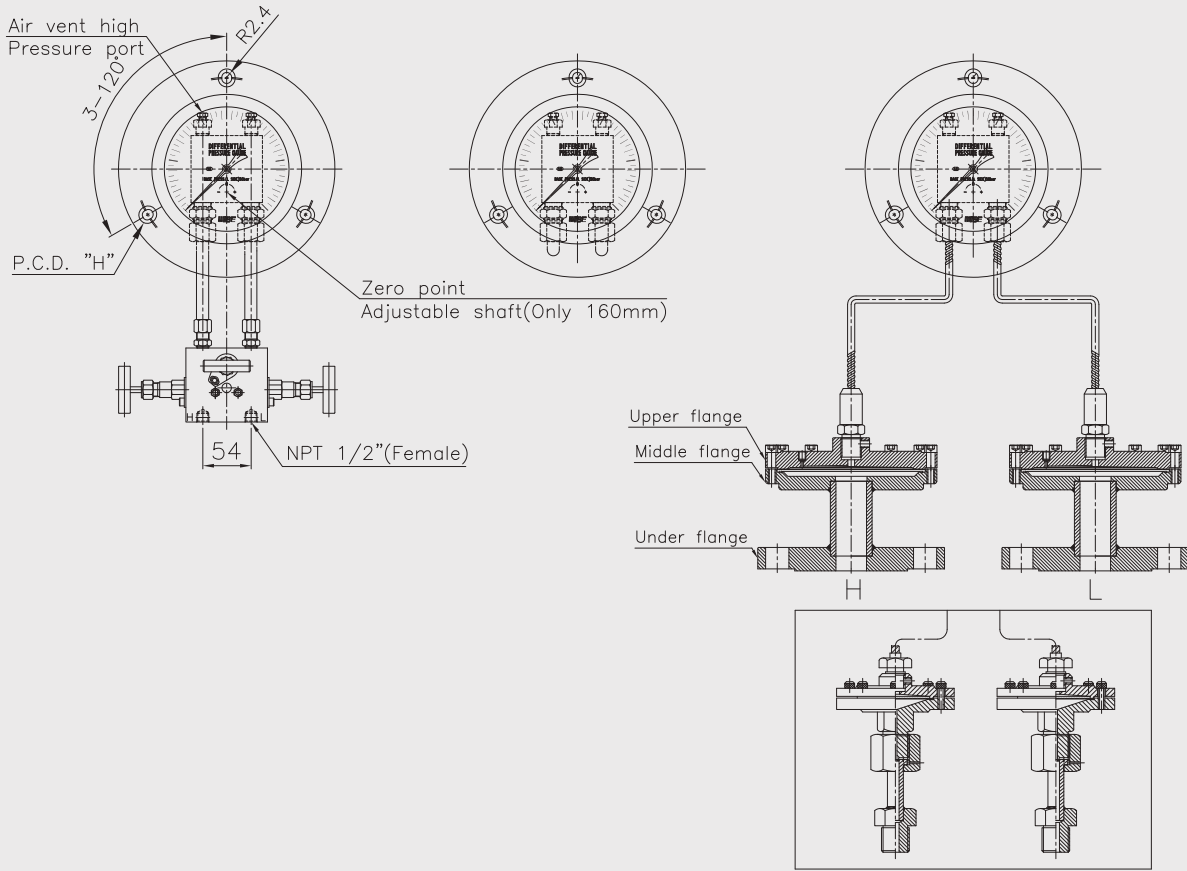
Dimensions (mm)

Dial size	A	D $\pm 2$	E $\pm 2$
100	101.3	98	180.5
160	160.6	106	190

# P620, P630 : Type of mounting (2/2)

Code ( L )P620 and P630

Code ( L )P620 and P630(Remote seal)



Dimensions (mm)

Dial size	A	B	C	D±2	H
100	101.3	100.5	132	98	115~116
160	160.6	162	192	106	175.5~176.5