



*KEPCO Trusted Partner*

# ***KNTEC PH Meter***



# PH Meter



## ● Technical Specifications

Description	KNTEC-CPH-02
Measuring Range	0~14 pH
Type	Single
Display	0.01 pH
Accuracy	± 0.01 pH
Display Screen	LCD DOT MATRIX (128 x 64 pixel)
Data Outlet	4~20 mA 2 ea , Alarm 2 ea
Encloser	ABS+PC, NEMA 4X, IP65
Case Dimensions (mm)	154W X 154H X 180D ( Panel cutout 137W X 137H )
Sample Temperature	5~50 °C
Sample Flow	100~300 ml/min
Electrode Holder	STS 316
pH Electrode Material	Glass
Temperature Electrode	Pt100
Degree of Protection	IP65( NEMA 4X) : Electronics
Power	AC 100~240VAC, 50~60Hz
Mounting	Pipe, Wall, Panel

# PH Meter

## ● PH Meter Composition

<b>1) Transmitter</b>	<b>2) Chamber</b>
	
<b>3) pH Electrode</b>	<b>4) Temperature sensor</b>
	
<b>5) pH Cable</b>	<b>6) Power cable</b>
	

# PH Meter

## ● Chamber Assembly



Bracket & inlet

Temperature sensor holder

electrode holder

Chamber body

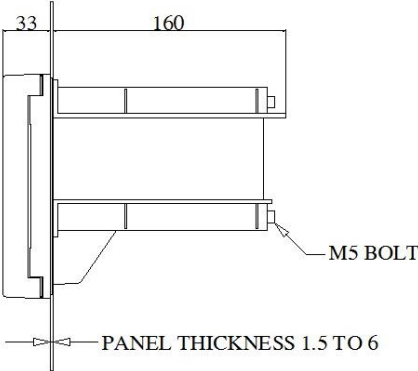
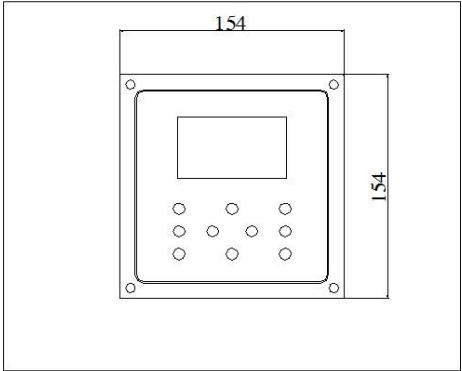
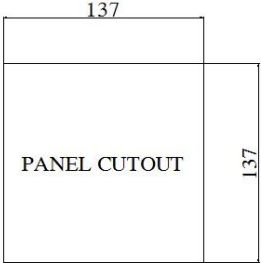
Chamber cup

Chamber cover

Chamber

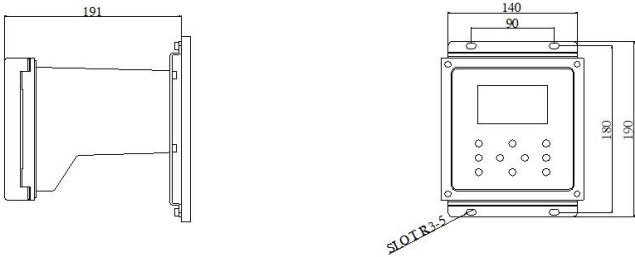
## ● Installation

### - Dimensions of panel mounting

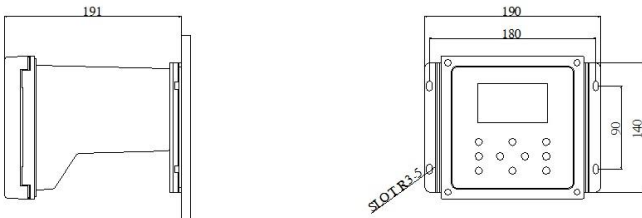


# PH Meter

## - Dimensions of wall mounting

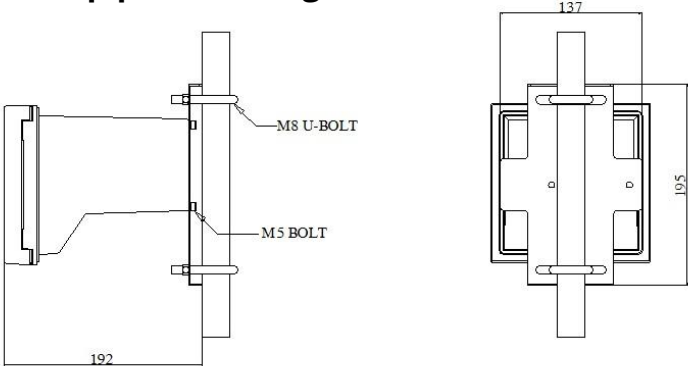


WALL MOUNTING BRAKET VERTICAL

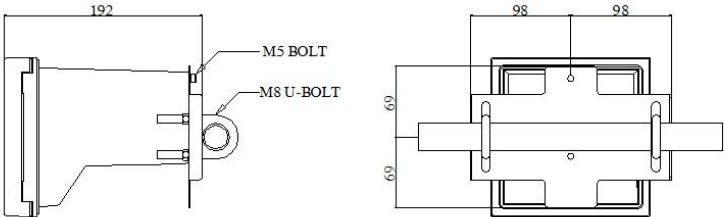


WALL MOUNTING BRAKET HORIZONTAL

## ● Dimensions of pipe mounting



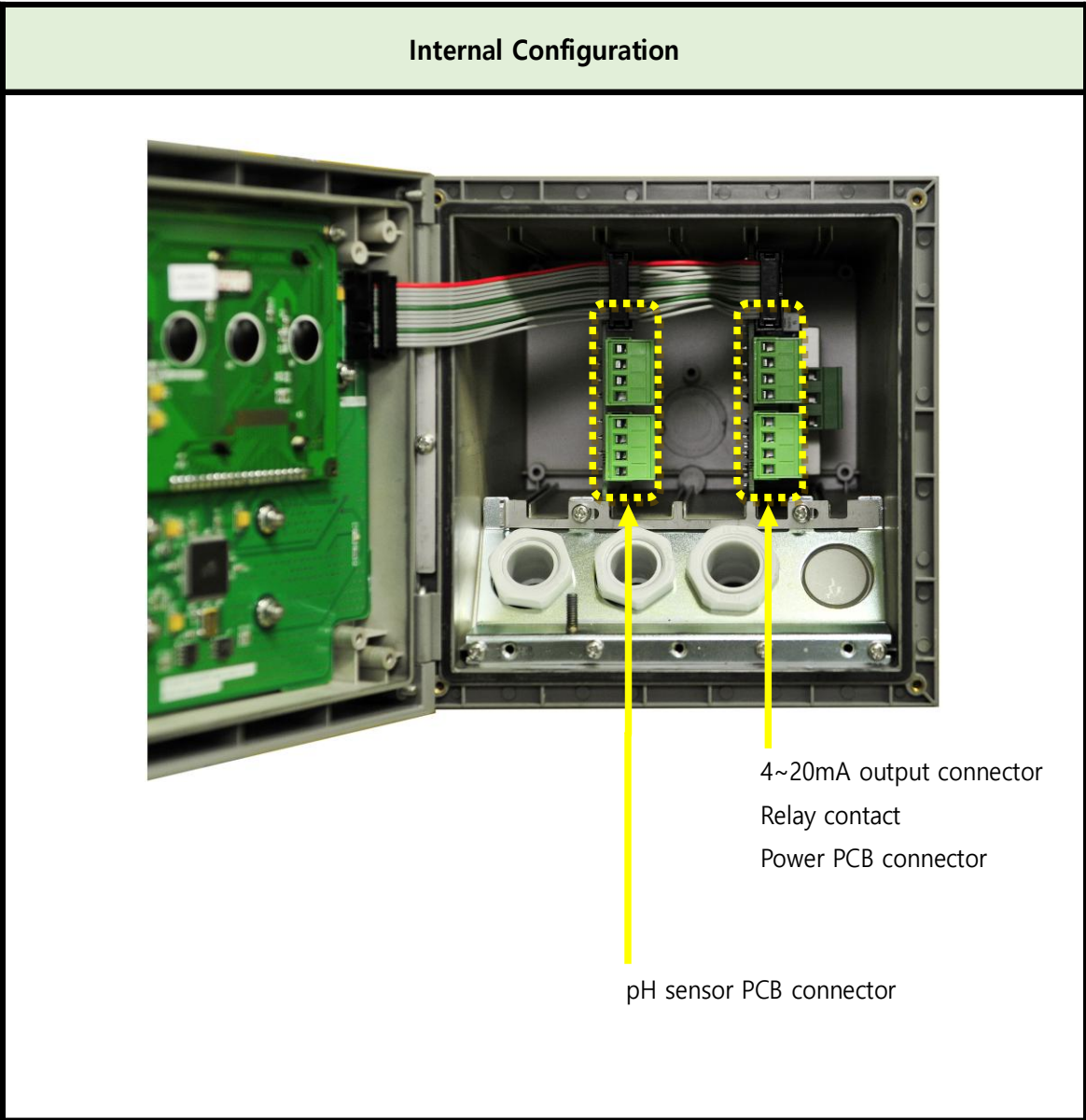
VERTICAL REAR PIPE MOUNTING



HORIZONTAL REAR PIPE MOUNTING

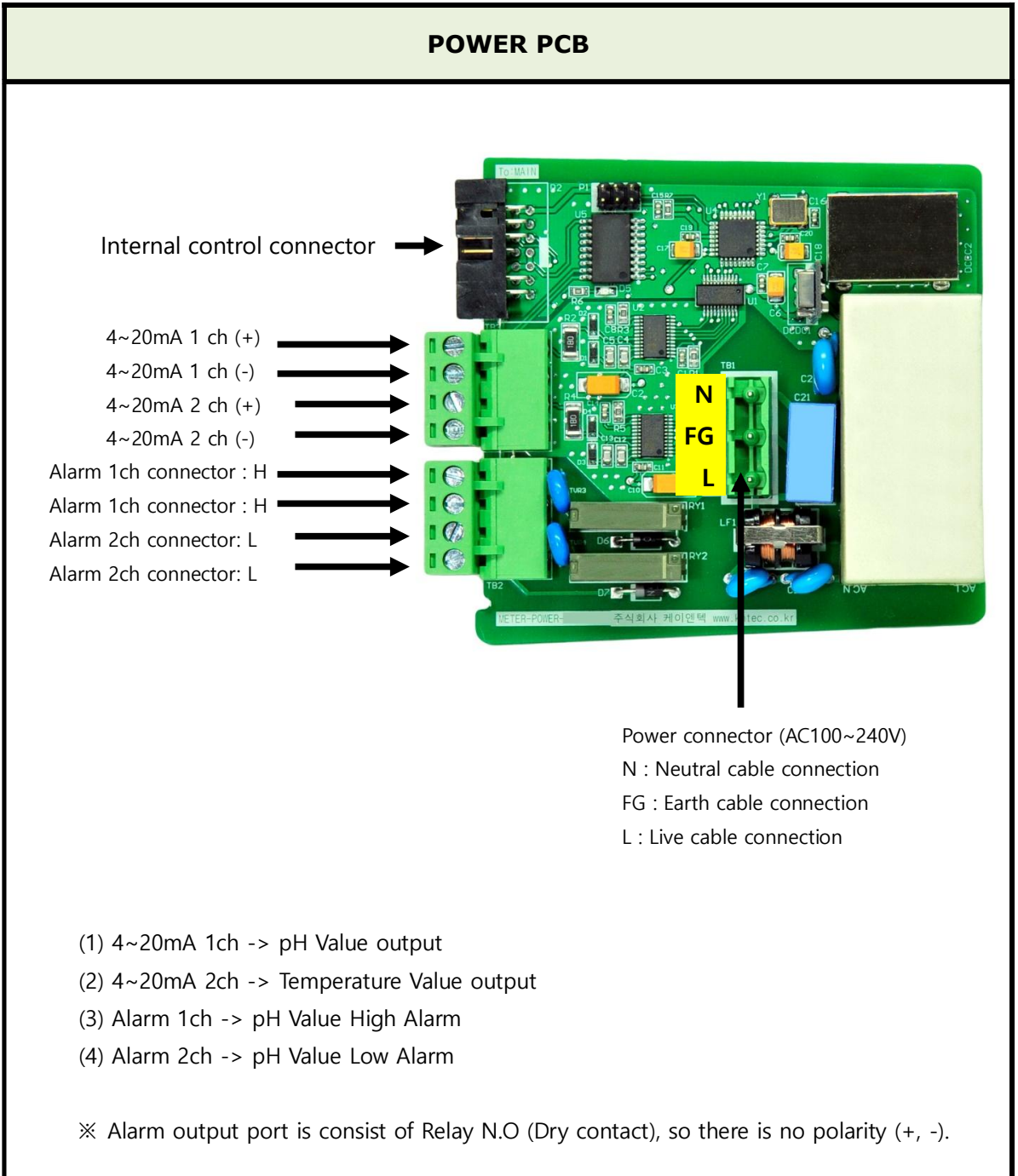
# PH Meter

- Configuration of terminal board
  - Internal configuration

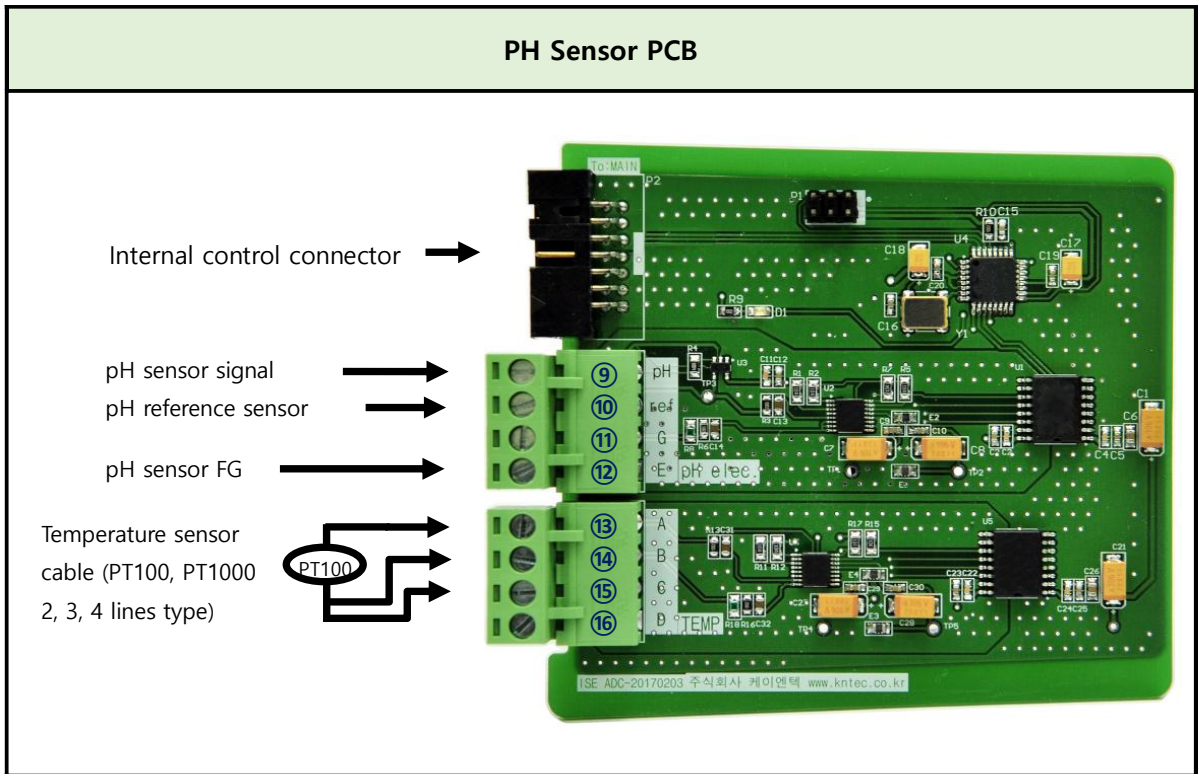


# PH Meter

## - Configuration of terminal board



# PH Meter



## ● Consumables

Part No.	Description	Replacement Cycle	Remarks
P01-001	pH Transmitter	Failure	
P01-002	pH Chamber set	Failure	Chamber assembly
P01-003-J	pH Electrode	Failure	Temperature sensor separated type
P01-004	Temperature sensor with cable	Failure	
P01-006	Buffer solution		pH 6.86 / 7.00
P01-006-1	Buffer solution		pH 9.18 / 10.00
P01-013	pH Meter main PCB		pH 6.86 / 7.00
P01-014	pH Meter power PCB		pH 6.86 / 7.00
P01-023	Sample flow meter		Max flow 300 cc