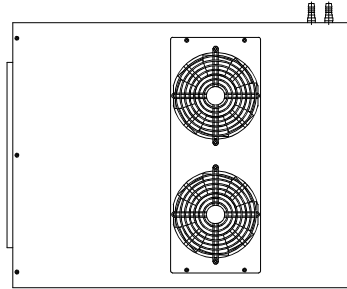
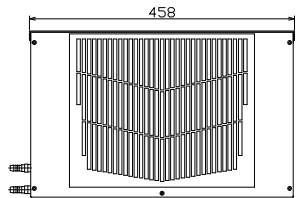


# SCA-1100AR Specifications

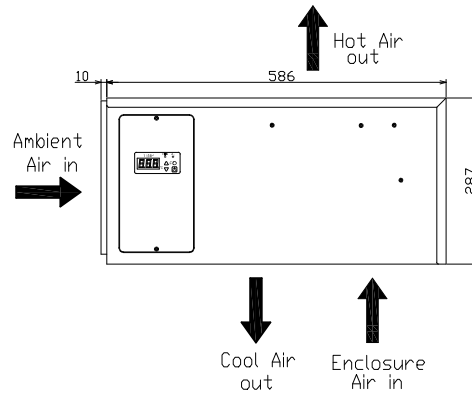
< TOP VIEW >



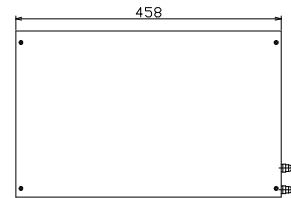
< SIDE VIEW >



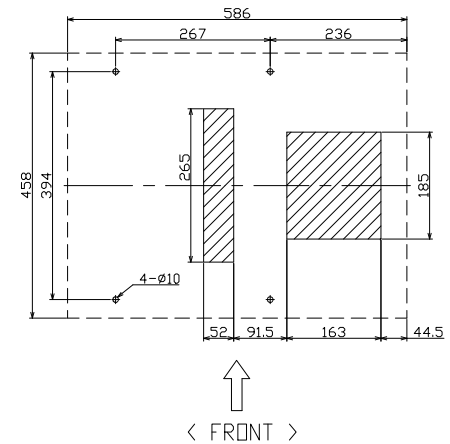
< FRONT VIEW >



< SIDE VIEW >



<Mounting cut out>  
Drawing as seen from the exterior of the enclosure.



## Specification

Form	SCA-1100AR
External Dimension W*H* D (mm)	586(W)*287(H)*458(D)
Cooling Capacity (50/60Hz)	1000kal/h
Rated Voltage (50/60Hz)	Single-phase 220V
Rated Current (50/60Hz)	4.3A
Starting Current (50/60Hz)	15A
Power Consumption (50/60Hz)	980W
Refrigerant	R134a
Applied Ambient Temperature	20c°~50c°
Protection Level	Internal Circuit IP54 External Circuit IP34
Weight	40Kg

CUSTOMER					TITLE	CABINET AIRCONDITIONER	
MAKER						SCA-1100AR	
					REMARK	-	/
SCALE	DR.BY	DEG.BY	CH.BY	APR.BY	REF	EXTERNAL DRAW.	
1/1	A.J.W	A.J.W	-	-	DWG.NO		
UNIT	DATE	2016.04.26		DWG.NO	S-CA-1100-AR-0A		
mm							