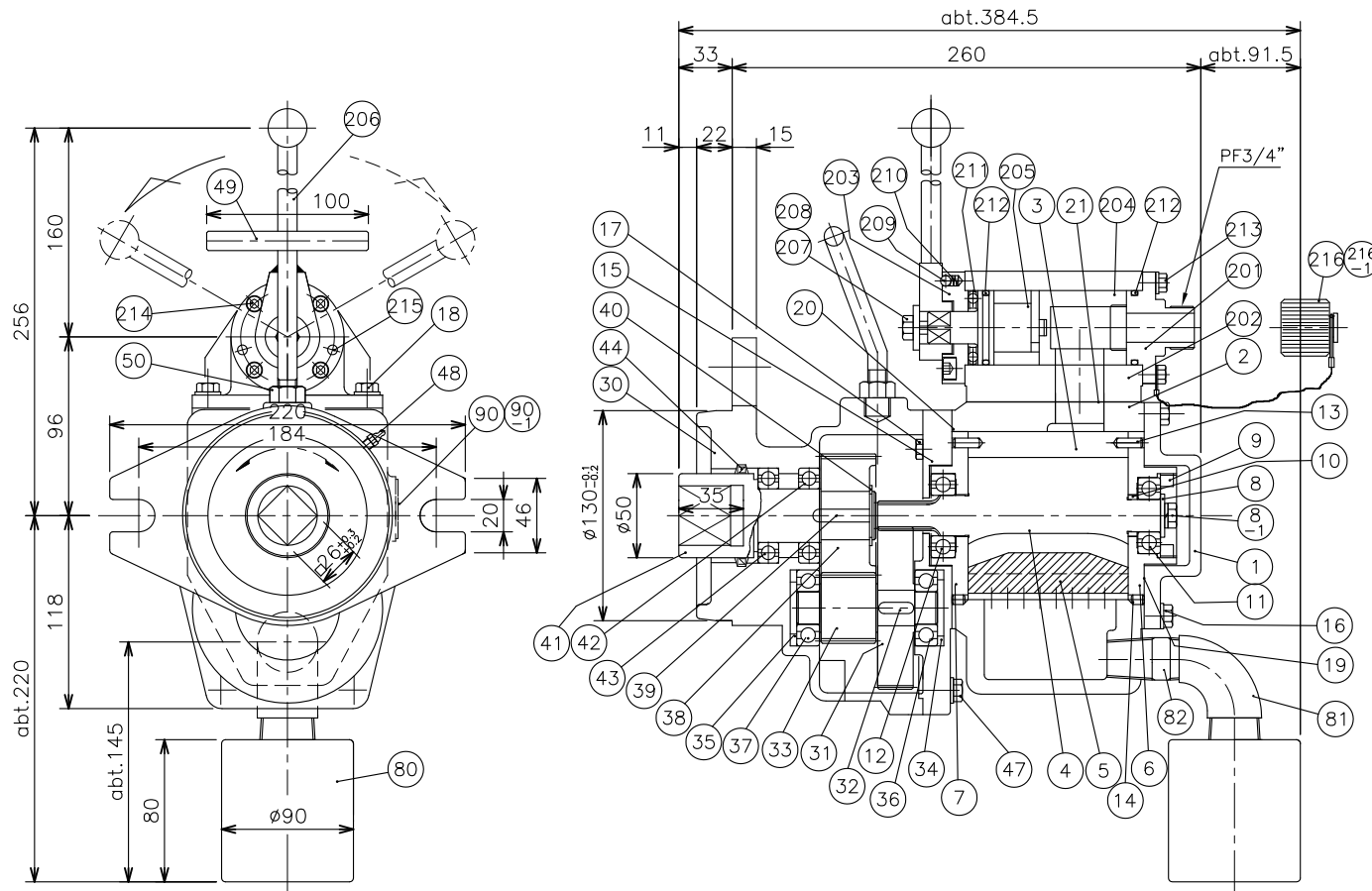


M'K	Date	Revision
△	.	.



SPECIFICATIONS

TYPE	HORSE POWER (MAX.)		CAPACITY				AIR CONSUMPTION (m ³ /min)	HOSE DIA.		AIR PRESS. (kg/cm ²)	WEIGHT (KG)
	PS	KW	SPEED (R.P.M)	TORQUE (KG.M)	TORQUE			(PF)	(INCH)		
					MAX.	STARTING					
SMP-2P-200D	2.6	1.9	200	9.3	18.6	14.9	2.45	20A	3/4	6	19
SMP-2P-300D	2.6	1.9	275	6.8	13.6	10.9	2.45	20A	3/4	6	19
SMP-2P-350D	2.6	1.9	350	5.3	10.6	8.5	2.45	20A	3/4	6	19
SMP-2P-450D	2.6	1.9	450	4.1	8.2	6.6	2.45	20A	3/4	6	19
SMP-2P-600D	2.6	1.9	550	3.4	6.8	5.5	2.45	20A	3/4	6	19

216-1	KEEP WIRE	SUS304	1	
216	INLET CAP	P.P	1	
215	STOPPER PIN	SK5	2	ø6x25L
214	WRENCH BOLT	SS400	4	M6x15L
213	HEX. HEAD BOLT/WASHER	SS400	4	M6x20L
212	O-RING	NBR	2	F36
211	THRUST BALL	SUJ	1	#51104
210	SPRING	SWPA	1	
209	STEEL BALL	SUJ	1	ø8
208	SPRING LOCK WASHER	SS400	1	M8
207	HEX. HEAD BOLT	SS400	1	M8x15L
206	VALVE LEVER	SS400	1	GAL'V
205	VALVE SHAFT	S45C	1	
204	VALVE	BsBM	1	
203	VALVE COVER	SS400	1	
202	VALVE BODY	FC200	1	
201	VALVE INLET	BsBM	1	
90-1	DRIVE SCREW	SUS304	4	
90	NAME PLATE	SUS304	1	
82	PIPE	SGP	1	25Ax50L
81	ELBOW	FCMB	1	1B
80	SILENCER	SGP	1	80A
50	HEX. NUT	SS400	1	M16
49	HANDLE	SS400	1	GAL'V
48	GREASE NIPPLE	BRASS	1	JIS B1575 PT 1/8"
47	HEX. HEAD BOLT/WASHER	SUS304	6	M6x25L
44	OIL SEAL	NBR	1	ZF11
43	BALL BEARING	SUJ	1	6205ZZ
42	BALL BEARING	SUJ	1	6205ZZ
41	MAIN SHAFT	SCM21	1	
40	RETAINING RING	SK5	1	S22
39	KEY	S45C	1	7x7x20
38	REDUCTION GEAR NO.3	SCM21	1	
37	BALL BEARING	SUJ	1	6202ZZ
36	BALL BEARING	SUJ	1	6202ZZ
35	BEARING EXTRACT PLATE	SS400	1	
34	BEARING EXTRACT PLATE	SS400	1	
33	REDUCTION GEAR NO.2	SCM21	1	
32	KEY	S45C	1	5x5x14
31	REDUCTION GEAR NO.1	SCM21	1	
30	GEAR CASING	AC7A	1	
21	GASKET SEALANT	CHEMICAL TYPE	-	ITEM #80003
20	GASKET SEALANT	CHEMICAL TYPE	-	ITEM #80003
19	GASKET SEALANT	CHEMICAL TYPE	-	ITEM #80003
18	HEX. HEAD BOLT/WASHER	SS400	4	M6x20L
17	HEX. HEAD BOLT	SS400	4	M6x25L
16	HEX. HEAD BOLT/WASHER	SS400	4	M6x25L
15	ADAPTER PLATE	FC200	1	
14	DOWEL PIN	SK5	2	4x6L
13	DOWEL PIN	SK5	2	4x10L
12	BALL BEARING	SUJ	1	6204ZZ
11	BALL BEARING	SUJ	1	6202ZZ
10	SPACER	S45C	1	
9	NUT FOR BEARING	SS400	1	
8-1	HEX. HEAD BOLT/WASHER	SS400	1	M6x20L
8	END PLATE	SS400	1	
7	FRONT END PLATE	FC200	1	
6	REAR END PLATE	FC200	1	
5	VANE	BAKELITE	5	
4	ROTOR	SCM21	1	
3	CYLINDER	FC200	1	
2	MOTOR HOUSING	AC7A	1	
1	MOTOR HOUSING COVER	AC7A	1	

NO.	DESCRIPTION	MAT'L	Q'TY	REMARKS
DWN	CHK	APP	PROJECT	
K.K.Lee	S.G.Kim	S.L.Shin	TITLE	
PROJECTION	DATE	SCALE	AIR MOTOR	
2019.10.06	N.S	GENERAL ARRANGEMENT		
DWG NO.	REV.NO.	SHIN MYUNG TECH CO., LTD.		
SMP-2P-200~600D	△			