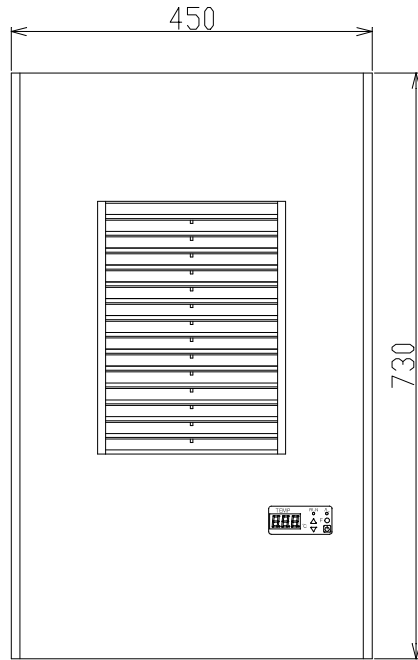


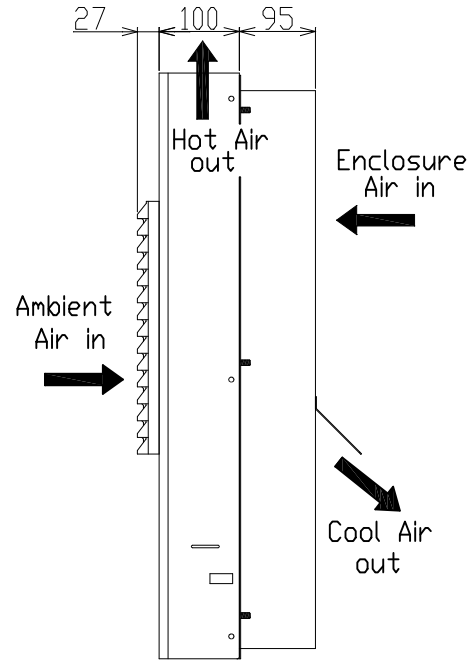
SCA-750ER Specifications

NO.	DATE	CONTENT	REV BY	CH'ED BY
△				

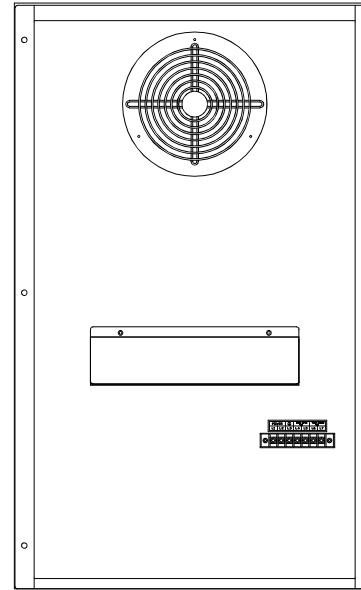
< FRONT VIEW >



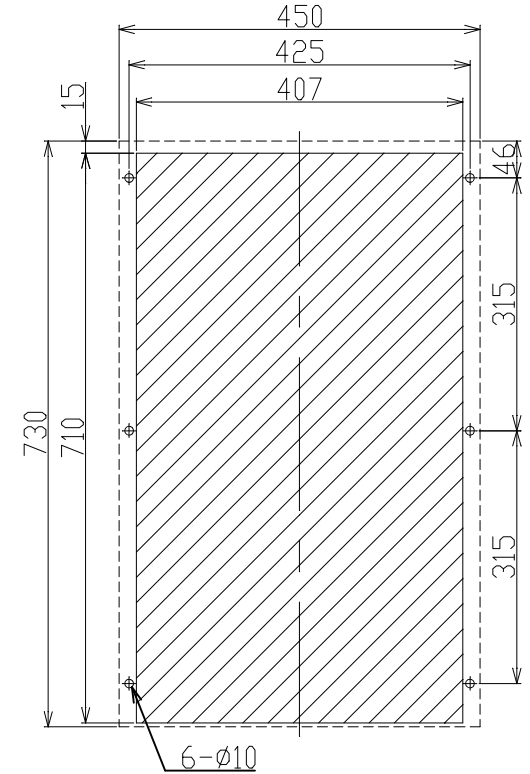
< SIDE VIEW >




< REAR VIEW >



<Mounting cut out>
Drawing as seen from the exterior of the enclosure.



Form	SCA-750ER (Drain water evaporating Type)
External Dimension W*H* D (mm)	450(W)*730(H)*195(D)
Cooling Capacity (50/60Hz)	750kal/h
Rated Voltage (50/60Hz)	Single-phase 220V
Rated Current (50/60Hz)	3.6A
Starting Current(50/60Hz)	15A
Power Consumption (50/60Hz)	790W
Refrigerant	R134a
Applied Ambient Temperature	20°C~50°C
Protection Level	Internal Circuit IP54 External Circuit IP34
Weight	34Kg

NO	DESCRIPTION	Q'TY	MT'L	PER ONE		DIMENSION	REMARKS
				TOTAL			
TITLE				NAME			
SAMICK Enclosure airconditioner				SCA-750ER			
SCALE	PROJECTION	3RD ANGLE	TOLERANCE	DWG.NO	H00-1011-E003-02		
DRAWN BY	DESIGNED BY	CHECKED BY	RECH'ED BY	REF . NO			
AN JAE WON				 삼익기전주식회사 SAMICK MECHATRONICS CO., LTD.			
2007 05 01							