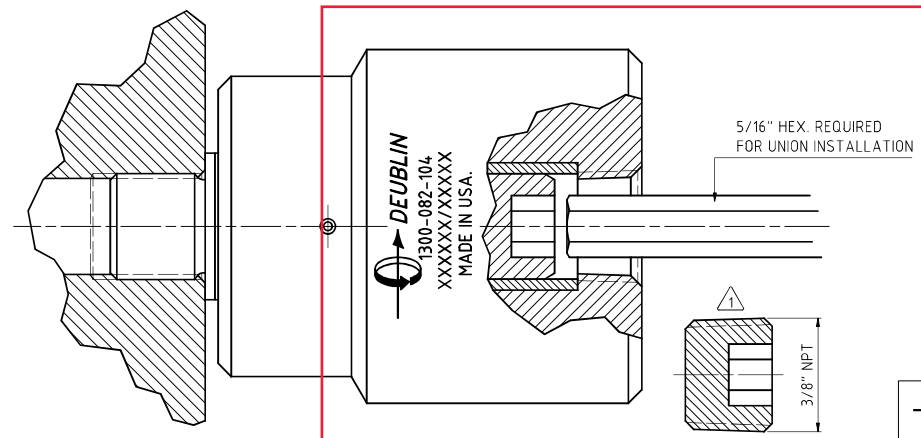
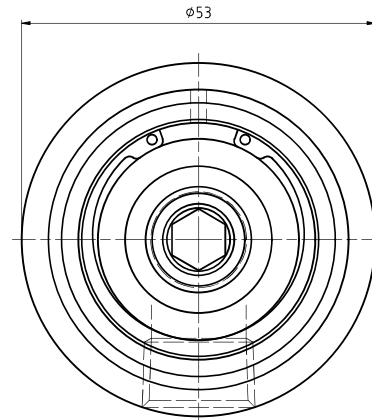
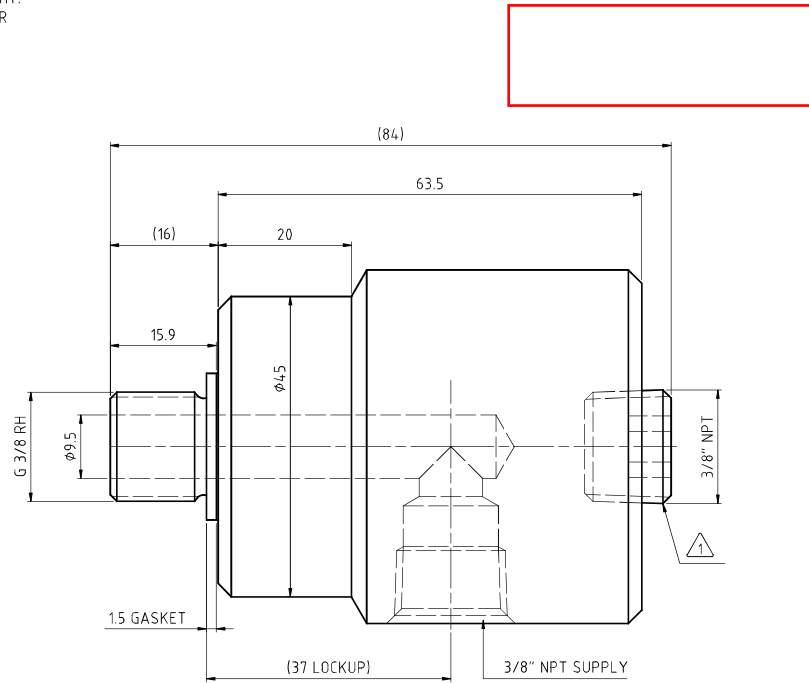


CONFIDENTIAL  
 THIS DOCUMENT CONTAINS CONFIDENTIAL AND PROPRIETARY INFORMATION OF DEUBLIN COMPANY. COPYING, USE, TRANSMISSION, DISTRIBUTION AND DISCLOSURE ARE SUBJECT TO THE TERMS AND CONDITIONS CONTAINED IN YOUR AGREEMENT WITH DEUBLIN COMPANY. ALL RIGHTS RESERVED.

NOTES:  
 ▲ - 3/8" PIPE PLUG SUPPLIED INSTALLED HAND TIGHT. MUST BE SEALED AND TIGHTENED BY CUSTOMER AFTER UNION INSTALLATION.



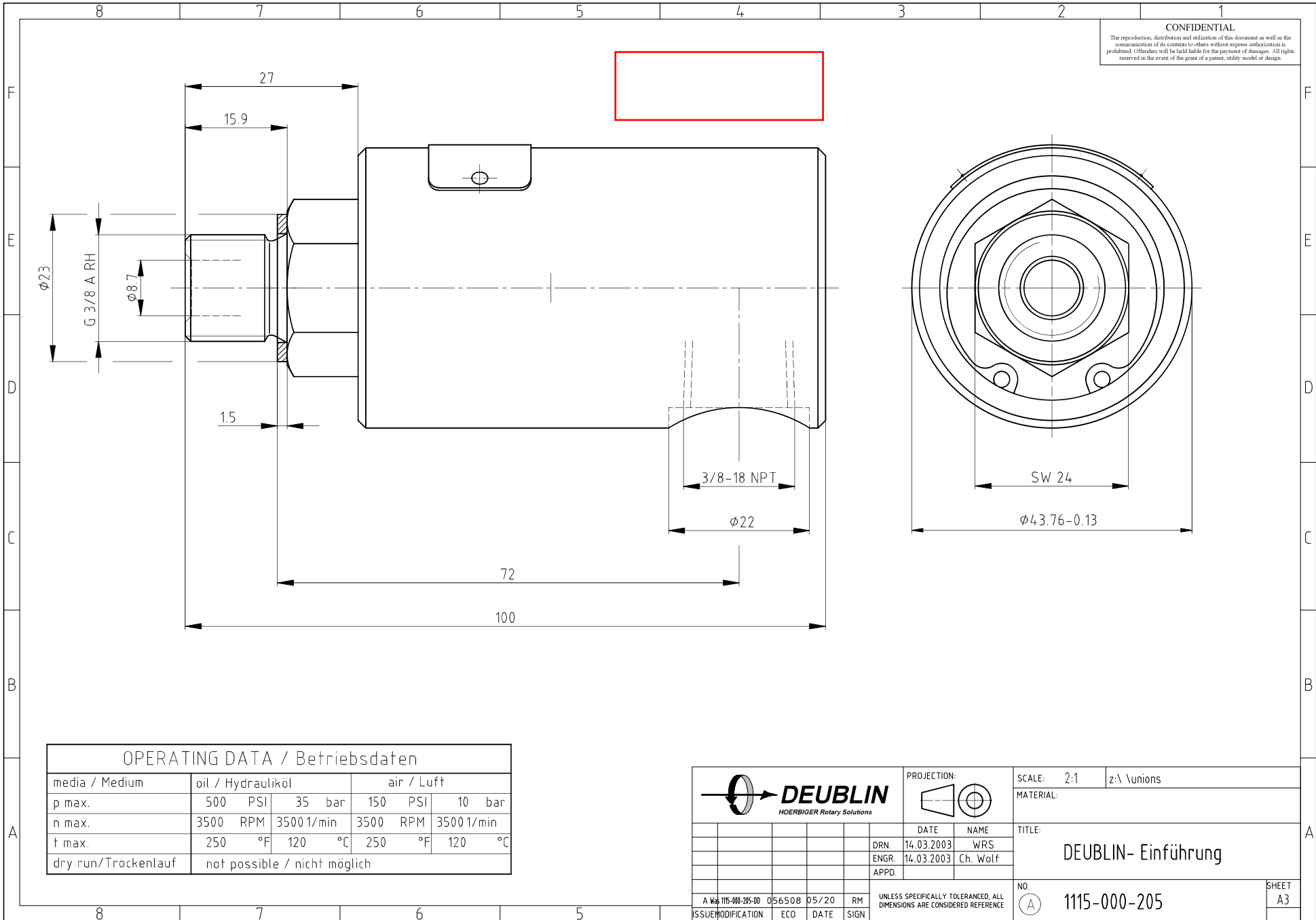
가 가

| OPERATING DATA         |          |
|------------------------|----------|
| MEDIA                  | AIR      |
| MAX. PRESSURE          | 10 bar   |
| MAX. SPEED             | 1500/min |
| MAX. MEDIA TEMPERATURE | 121°C    |

|  |     |   |                  |
|--|-----|---|------------------|
|  |     | PROJECTION:   | SCALE: 2:1       |
| DRN: 05/17/11<br>ENGR: GA<br>APPD:                             |     | DATE: 05/17/11<br>NAME: GA  | MATERIAL:        |
| TITLE: INTERFACE CONTROL DRAWING<br>DEUBLIN UNION 1300-082-104 |     |   | NO. 1300-082-104 |
| A UPDATED TO IHS 015937 11/11 GA                               |     | UNLESS SPECIFICALLY TOLERANCED, ALL DIMENSIONS ARE CONSIDERED REFERENCE |                  |
| REDESIGNED IHSING  | ECD | DATE  | SIGN             |

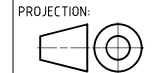
CONFIDENTIAL

The reproduction, distribution and utilization of this document as well as the communication of its contents to others without express authorization is prohibited. Offenders will be held liable for the payment of damages. All rights reserved in the event of the grant of a patent, utility model or design.



OPERATING DATA / Betriebsdaten

| media / Medium      | oil / Hydrauliköl            |            | air / Luft |            |
|---------------------|------------------------------|------------|------------|------------|
| p max.              | 500 PSI                      | 35 bar     | 150 PSI    | 10 bar     |
| n max.              | 3500 RPM                     | 3500 1/min | 3500 RPM   | 3500 1/min |
| t max.              | 250 °F                       | 120 °C     | 250 °F     | 120 °C     |
| dry run/Trockenlauf | not possible / nicht möglich |            |            |            |



PROJECTION: SCALE: 2:1 z:\ \unions  
MATERIAL:

|       | DATE       | NAME     | TITLE:              |
|-------|------------|----------|---------------------|
| DRN.  | 14.03.2003 | WRS      | DEUBLIN- Einführung |
| ENGR. | 14.03.2003 | Ch. Wolf |                     |
| APPD. |            |          |                     |

| ISSUE/MODIFICATION | ECO    | DATE  | SIGN |
|--------------------|--------|-------|------|
| A 115-000-205-00   | 056508 | 05/20 | RM   |

UNLESS SPECIFICALLY TOLERANCED, ALL DIMENSIONS ARE CONSIDERED REFERENCE  
NO. 115-000-205  
SHEET A3