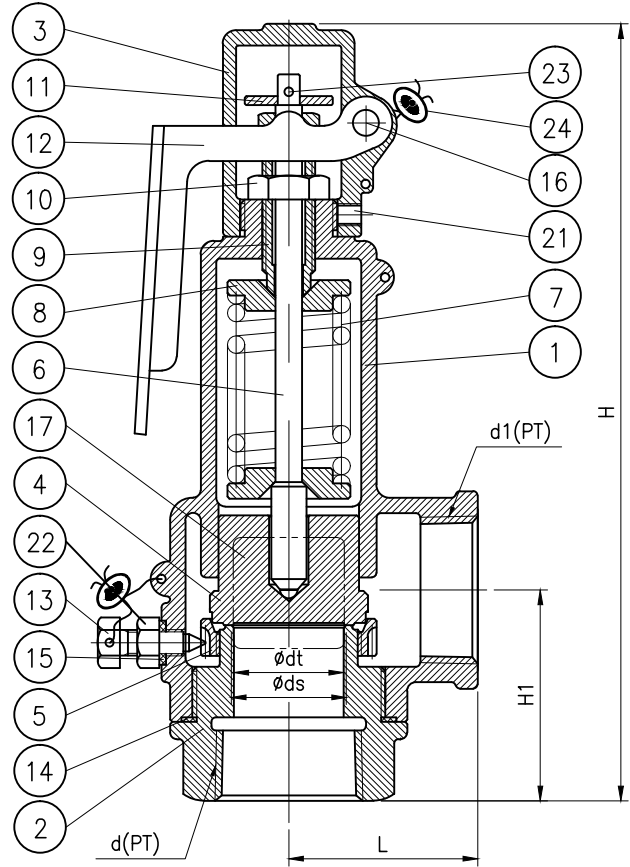


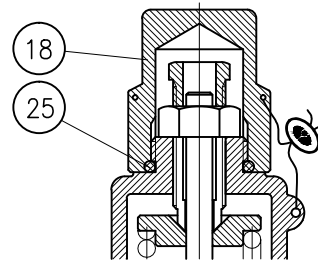
NO	REVISION	DATE	CHK.	APP.
△				

OPEN LEVER
(AIR, STEAM)



* SPECIFICATION

1. APPLICABLE FLUID : GAS AIR STEAM LIQUID OIL
2. MAX. DESIGN PRESSURE : 10Kgf/cm²
3. MAX. DESIGN TEMPERATURE : 220°
4. SETTING PRESSURE RANGE : 0.35~11Kgf/cm²
5. HYDRO. TEST PRESSURE : WORKING PRESSURE x 1.5
6. END CONNECTION : JIS B 0203 PIPE TAPER THREAD



CLOSED CAP
(GAS, LIQUID, OIL)

		A . S	L . O
25	O-RING	1	NBR
24	SEAL	2	Pb
23	SPLIT PIN	1	SUS304
22	HEX NUT	1	BRASS
21	SET SCREW	1	SUS304
18	CLOSED CAP	1	C3771
17	NAME PLATE	1	SUS304
16	PIN	1	SS400
15	GASKET	1	PTFE
14	GASKET	1	PTFE
13	SET SCREW	1	BRASS
12	LEVER	1	SS400
11	STEM WASHER	1	SS200
10	LOCK NUT	1	SS200
9	ADJUST SCREW	1	C3604
8	SPRING SEAT	2	C3604
7	SPRING	1	SWOSC
6	STEM	1	SUS303F
5	CONTROL RING(LOW)	1	C3771
4	DISC	1	C3604
3	OPEN CAP	1	BC6
2	NOZZLE	1	C3771
1	BODY	1	BC

* DIMENSIONS

unit : mm

VALVE NO.	SIZE IN x OUT	CHK.	dt	ds	L	H1	H	d(PT)	d1(PT)	WEIGHT(kg)	Q'TY
	15Ax20A		20.0	21.0	38.0	42.0	163.0	1/2"	3/4"		
	20Ax20A	└─	20.0	21.0	38.0	42.0	163.0	3/4"	3/4"		
	25Ax25A		25.0	26.0	43.0	48.0	178.0	1"	1"		
	32Ax32A		32.0	33.0	50.0	58.0	180.0	1-1/4"	1-1/4"		
	40Ax40A		40.0	41.0	56.0	60.0	203.0	1-1/2"	1-1/2"		
	50Ax50A		50.0	51.0	70.0	77.0	275.0	2"	2"		

NO.	PART NAME	Q'TY	MATERIAL	REMARK
TITLE	TYPE	LOW LIFT	SIZE	15A-50A
			MODEL NO.	SFL-S1
DWN.	KIM.K.H	DATE	UNIT	SCALE
CHK.	PARK.H.G	2016.02.11	mm	N/S
APP.	KIM.D.H			SFLS1-PT-BC-01-0

