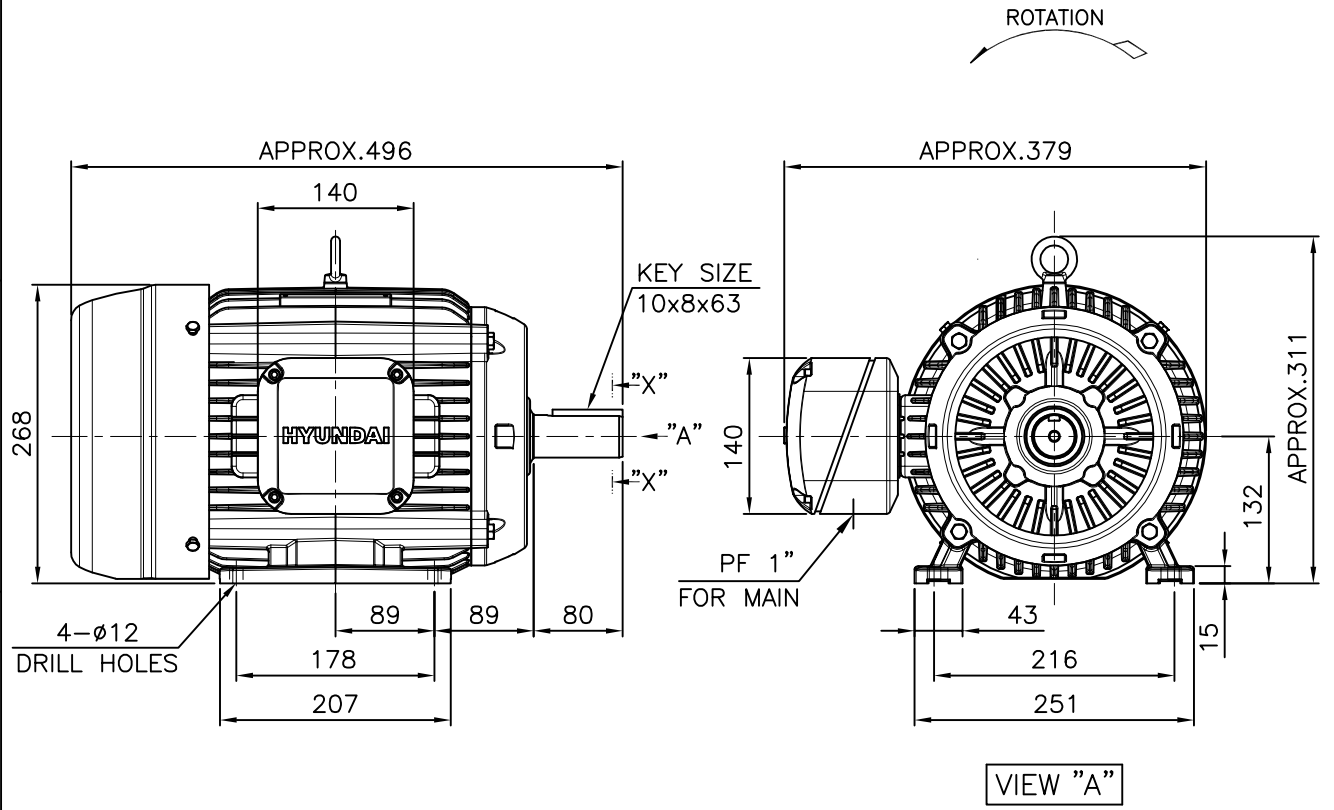


본 도면은 현대일렉트릭(주) 재산이므로 허가없이 복사할 수 없음 (취급유의)

THIS DRAWING IS PROPRIETARY TO HYUNDAI ELECTRIC. NO PART OF THIS DRAWING MAYBE REPRODUCED WITHOUT THE PERMISSION OF HYUNDAI ELECTRIC.

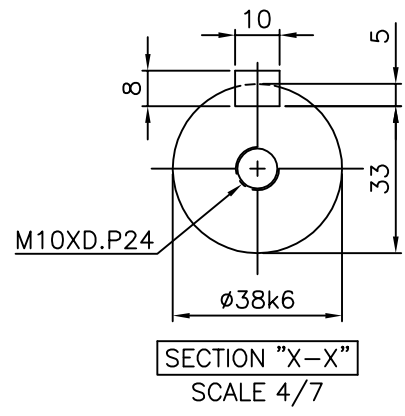
1		2		3		4			
▽	50S	REV	DATE	CONTENTS		REVD BY	CHKD BY	CHKD BY	APPD BY
▽▽	12.5S								
▽▽▽	3.2S								
▽▽▽▽	0.4S								



NOTE

1.TOLERANCE :

CENTER HEIGHT	132	$\begin{matrix} 0 \\ -0.5 \end{matrix}$
BASE HOLES	$\phi 12$	$\begin{matrix} +0.43 \\ 0 \end{matrix}$
SHAFT DIAMETER	$\phi 38$	$\begin{matrix} +0.018 \\ +0.002 \end{matrix}$
KEYWAY WIDTH	10	$\begin{matrix} 0 \\ -0.036 \end{matrix}$
KEYWAY DEPTH	5	$\begin{matrix} +0.2 \\ 0 \end{matrix}$
KEY WIDTH	10	$\begin{matrix} 0 \\ -0.036 \end{matrix}$
KEY HEIGHT	8	$\begin{matrix} 0 \\ -0.090 \end{matrix}$



APPD BY	S.K.HAN	UNIT	mm	SUBJECT	KS, IEC Fr.132M	DWG SIZE	A4 (1:7)	
CHKD BY	S.Y.KIM	SCALE	1/7	TITLE	OUTLINE			
CHKD BY	I.K.KIM	PROJEC'N	3각법 (3rd Angle)	REF. NO		Sheet No.	of	
DSND BY	S.H.LEE	DATE	2019.06.17	DWG NO		LM-T2133B3PLV01	Revision No.	0