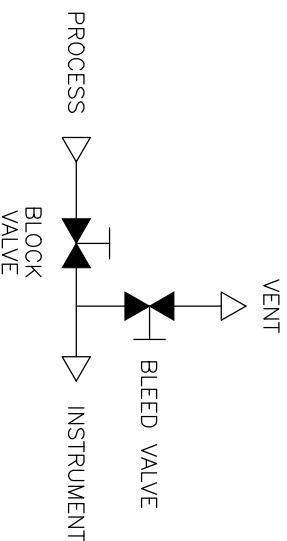
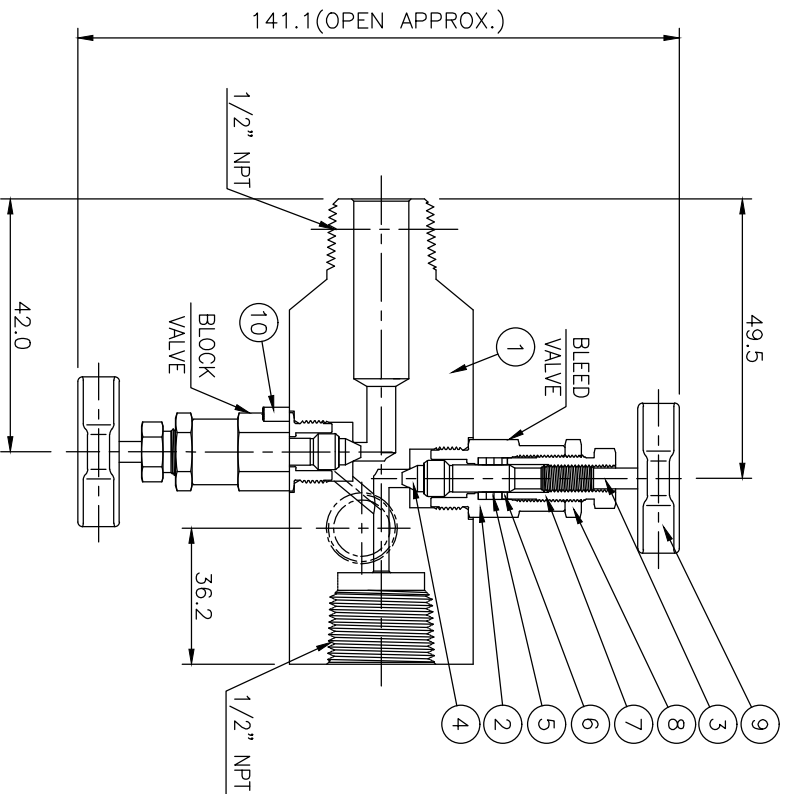


NO.	DESCRIPTION	MATERIAL	QTY	REMARKS
1	BODY	SS316L	1	
2	BONNET	SS316	2	
3	STEM	SS316	2	
4	DISC	SS630	2	
5	PACKING	GRAPHITE	2SET	
6	PACKING WASHER	Glass Filled PTFE	2	
7	PACKING BOLT	SS316	2	
8	LOCK NUT	SS316	2	
9	HANDLE	SS316	2	
10	LOCKING PIN	SS316	2	
11	VENT PLUG	SS316L	1	



FLOW SCHEMATIC

**NOTE.**

1. PART NO. : VGV2GV-MF8N-VP-WI
2. CONN. & SIZE : 1/2" NPT(M) x 1/2" NPT(F)
3. PRESSURE RATING : 5,000psig @38°C
4. TEMPERATURE RANGE : -54°C ~ 648°
5. ORIFICE SIZE : 3.2mm
6. NPT THREAD : ASME B1.20.1
7. UNIT : mm

DAEJOO I & E				
- WISE A080 2-WAY VALVE				
REV.	DATE	DESCRIPTION	W.C.JUNG	BY
0	12AUG/2014	ISSUED FOR APPROVAL	J.K.PARK	CHECKED
				APPROVED

TITLE  
**GAGE 2-VALVE WITH VENT PLUG**  
 1/2" NPT(M) x 1/2" NPT(F), 5,000psig, SS316L

Project No.	DWG No.	REV.	STATUS	SCALE	CLASS	PAGE
		0		N/S		3